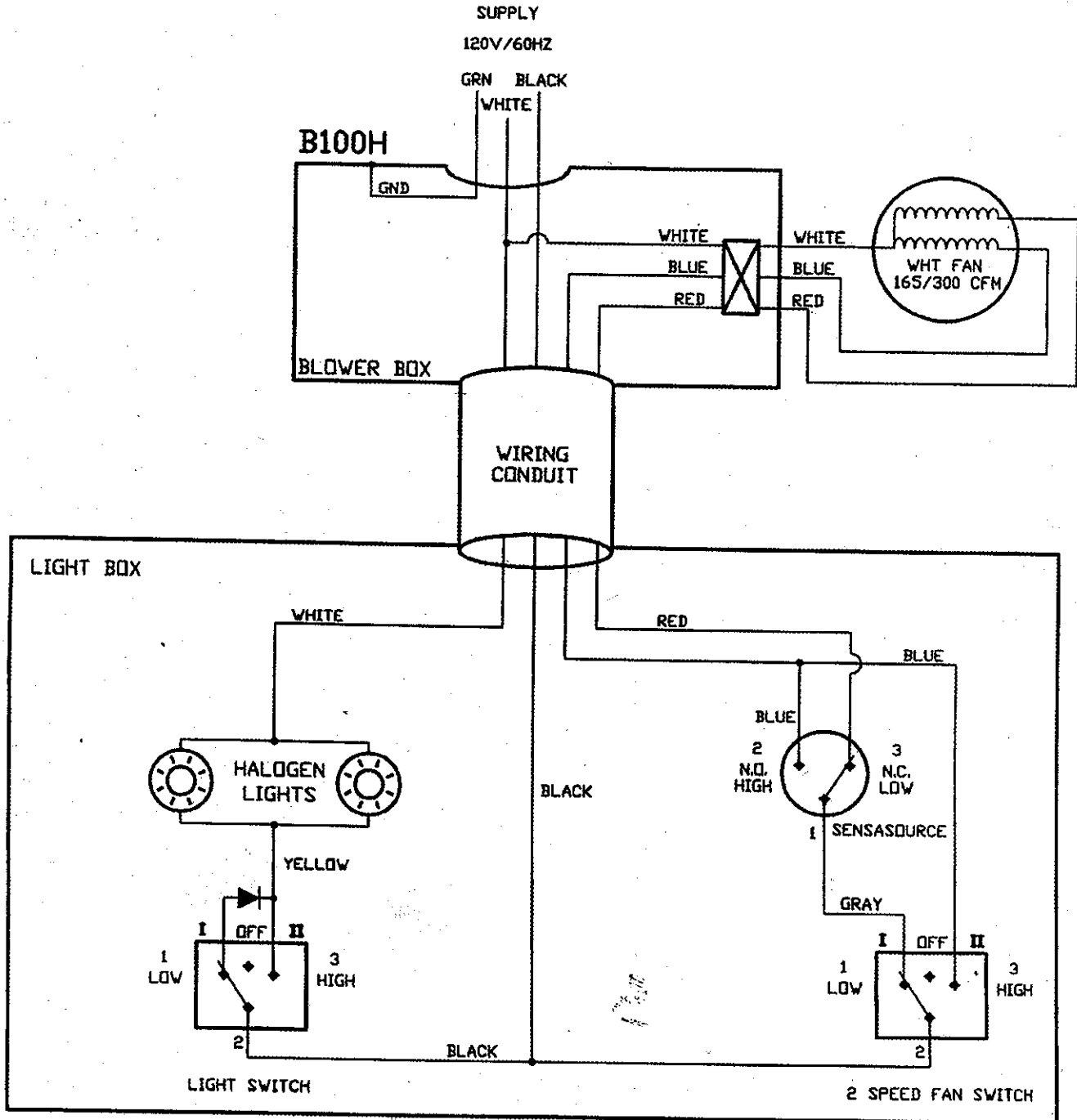


VentAhood®

WIRING DIAGRAM SINGLE BLOWER & HALOGEN LIGHT

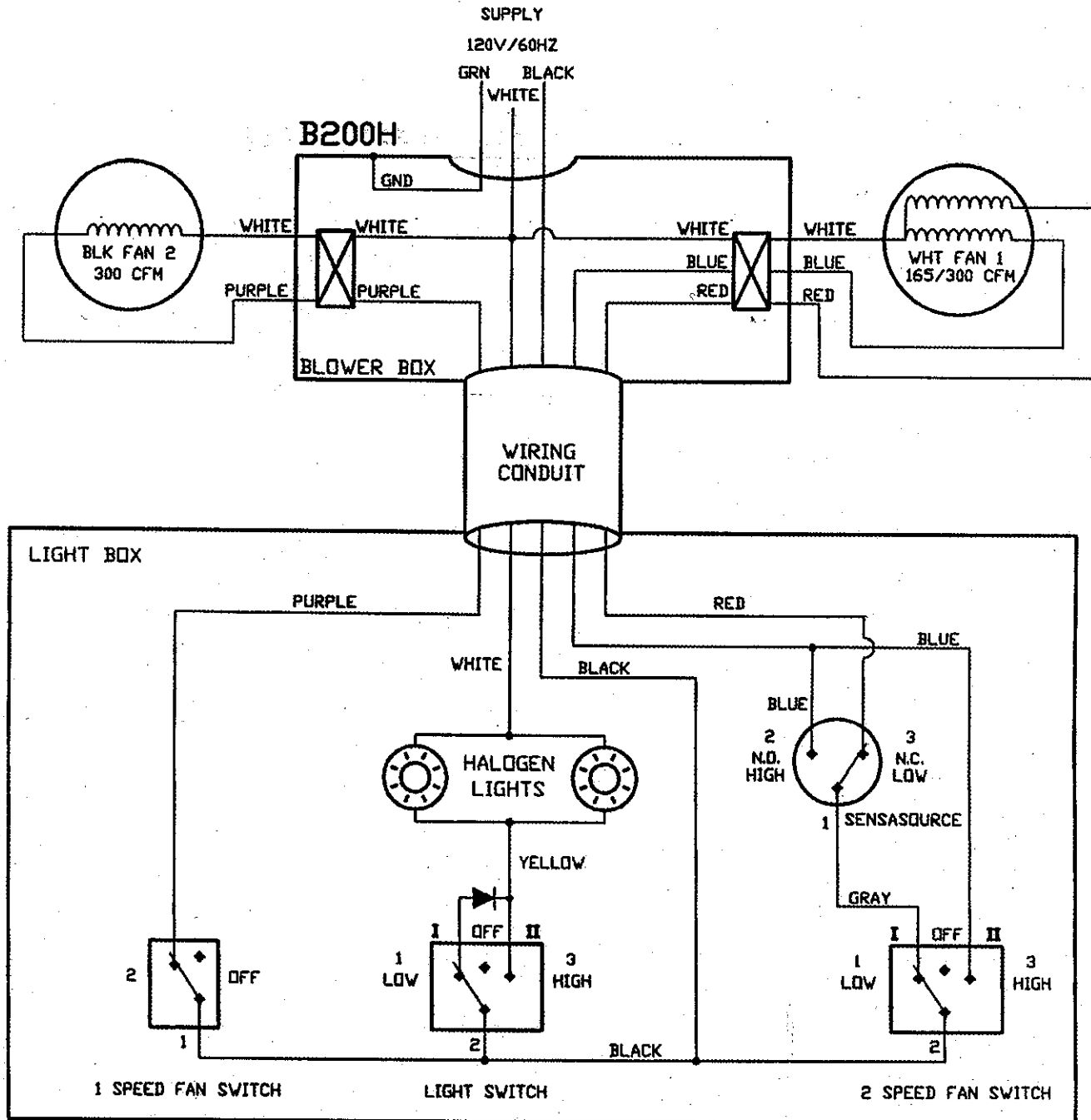


COLOR CODE 1-03 SINGLE SPEED MOTOR CONNECTORS 4-03 ICON SWITCHES 9-03

WARNING! DO NOT OPERATE VENT-A-HOOD WITHOUT PROPER GROUND CONNECTION

VentAhood®

WIRING DIAGRAM DUAL BLOWER & HALOGEN LIGHT



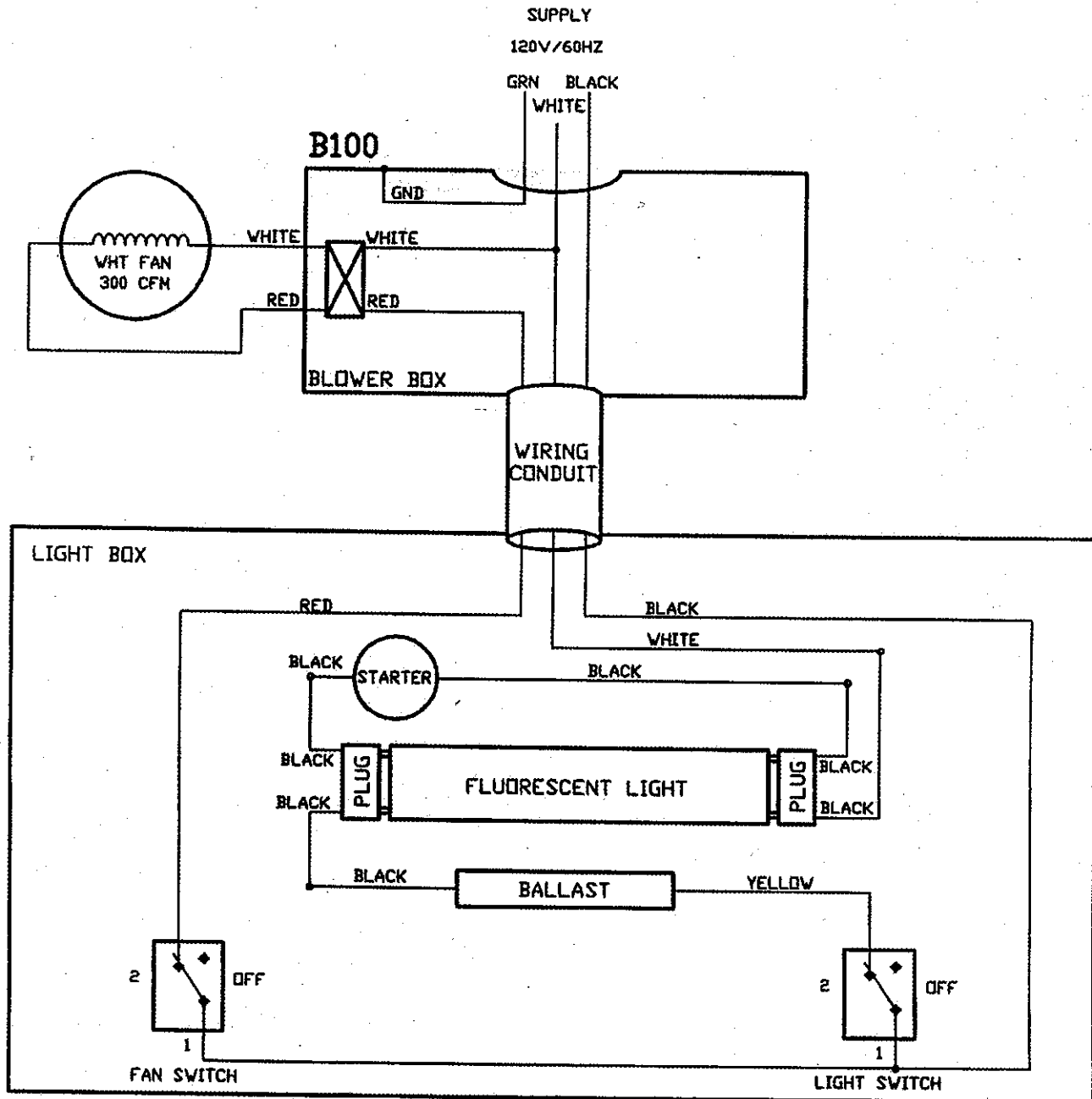
COLOR CODE 1-03 SINGLE SPEED MOTOR CONNECTORS 4-03 ICON SWITCHES 9-03

WARNING! DO NOT OPERATE VENT-A-HOOD WITHOUT PROPER GROUND CONNECTION

Vent-A-Hood®

WIRING DIAGRAM

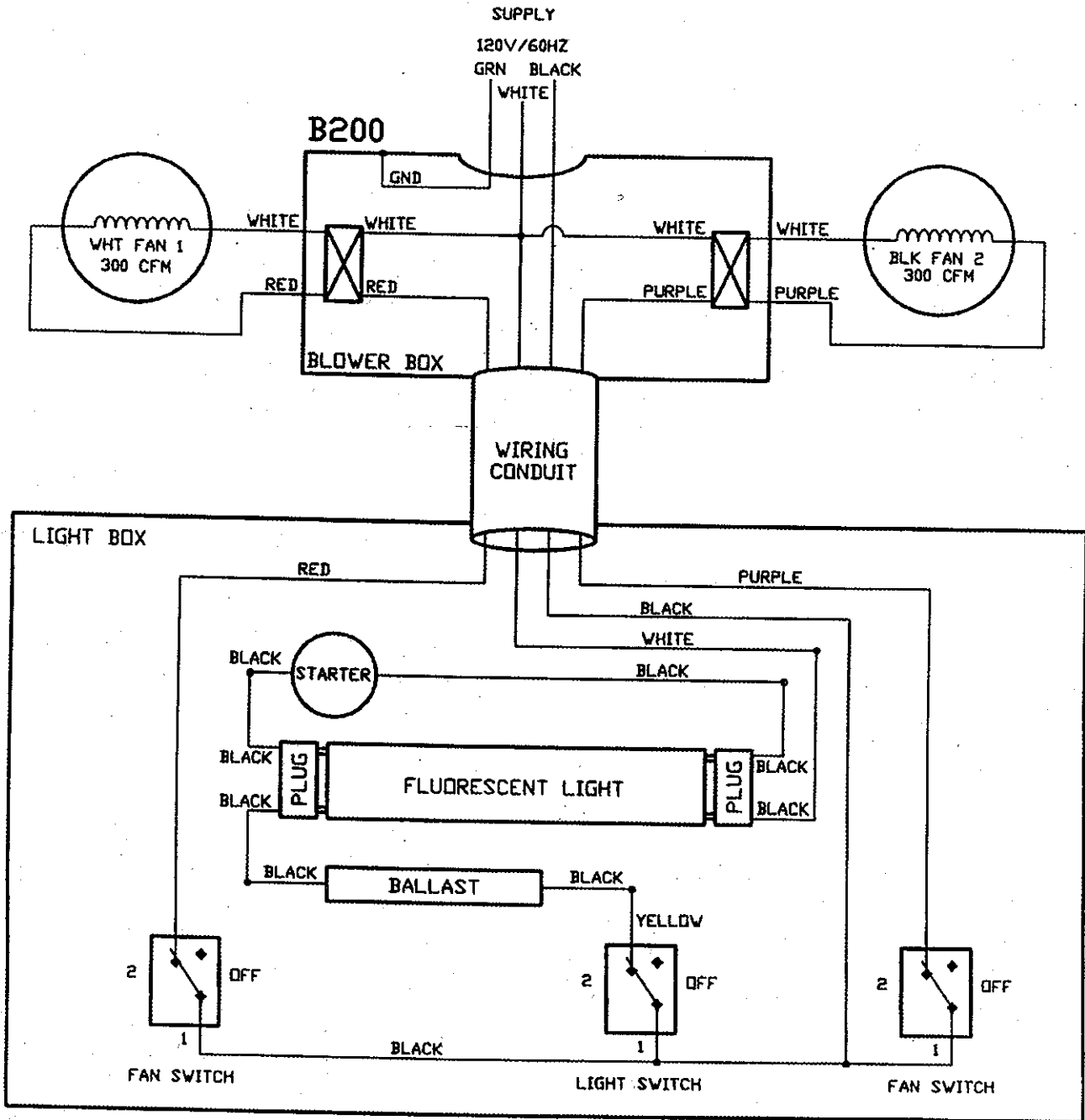
SINGLE BLOWER & FLUORESCENT LIGHT



COLOR CODE 1-03 MOTOR CONNECTOR 4-03 ICON SWITCHES 9-03
WARNING! DO NOT OPERATE VENT-A-HOOD WITHOUT PROPER GROUND CONNECTION

Vent-A-Hood®

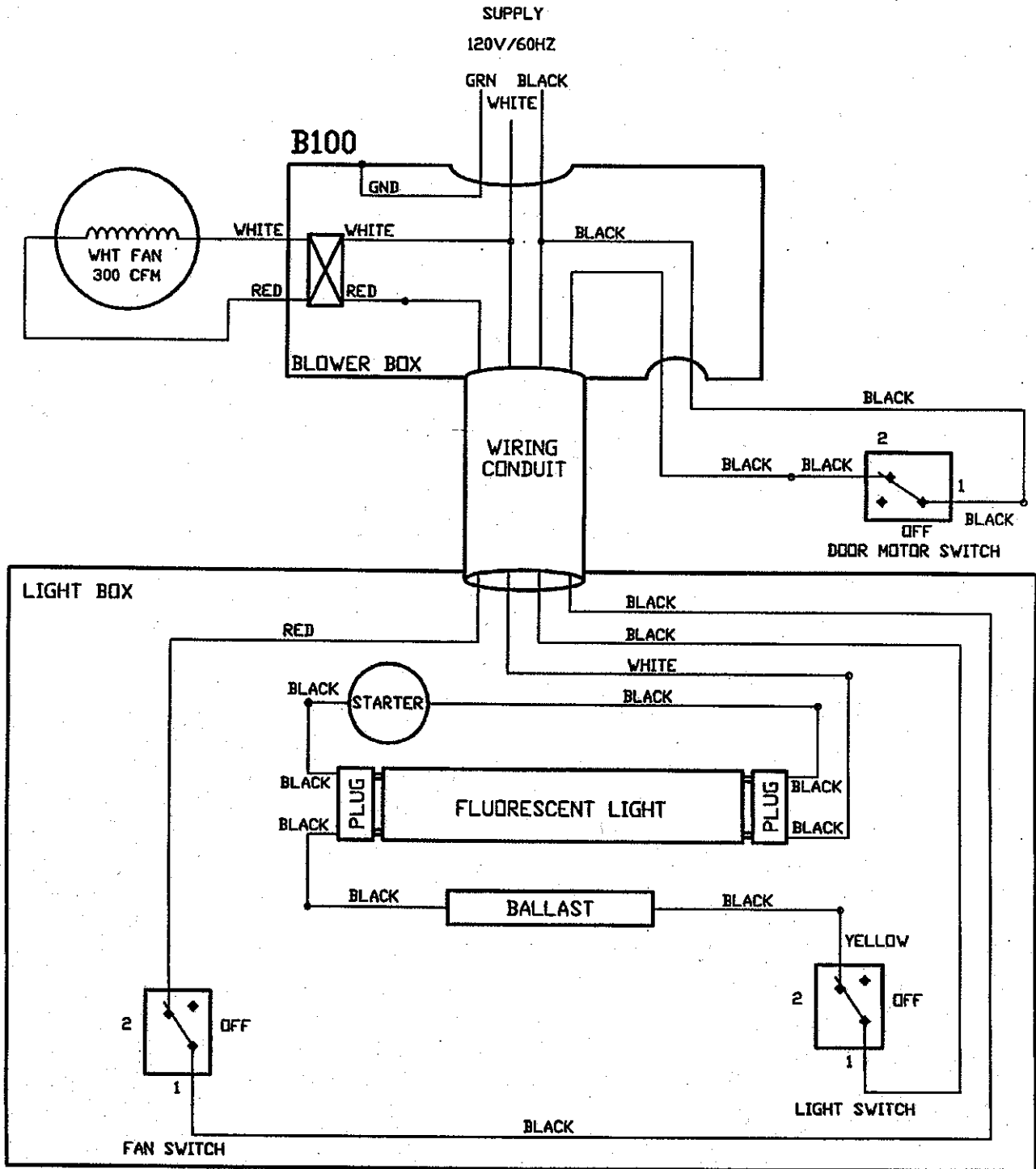
WIRING DIAGRAM DUAL BLOWER & FLUORESCENT LIGHT



COLOR CODE 1-03 MOTOR CONNECTORS 4-03 ICON SWITCHES 9-03
WARNING! DO NOT OPERATE VENT-A-HOOD WITHOUT PROPER GROUND CONNECTION

Vent-A-Hood®

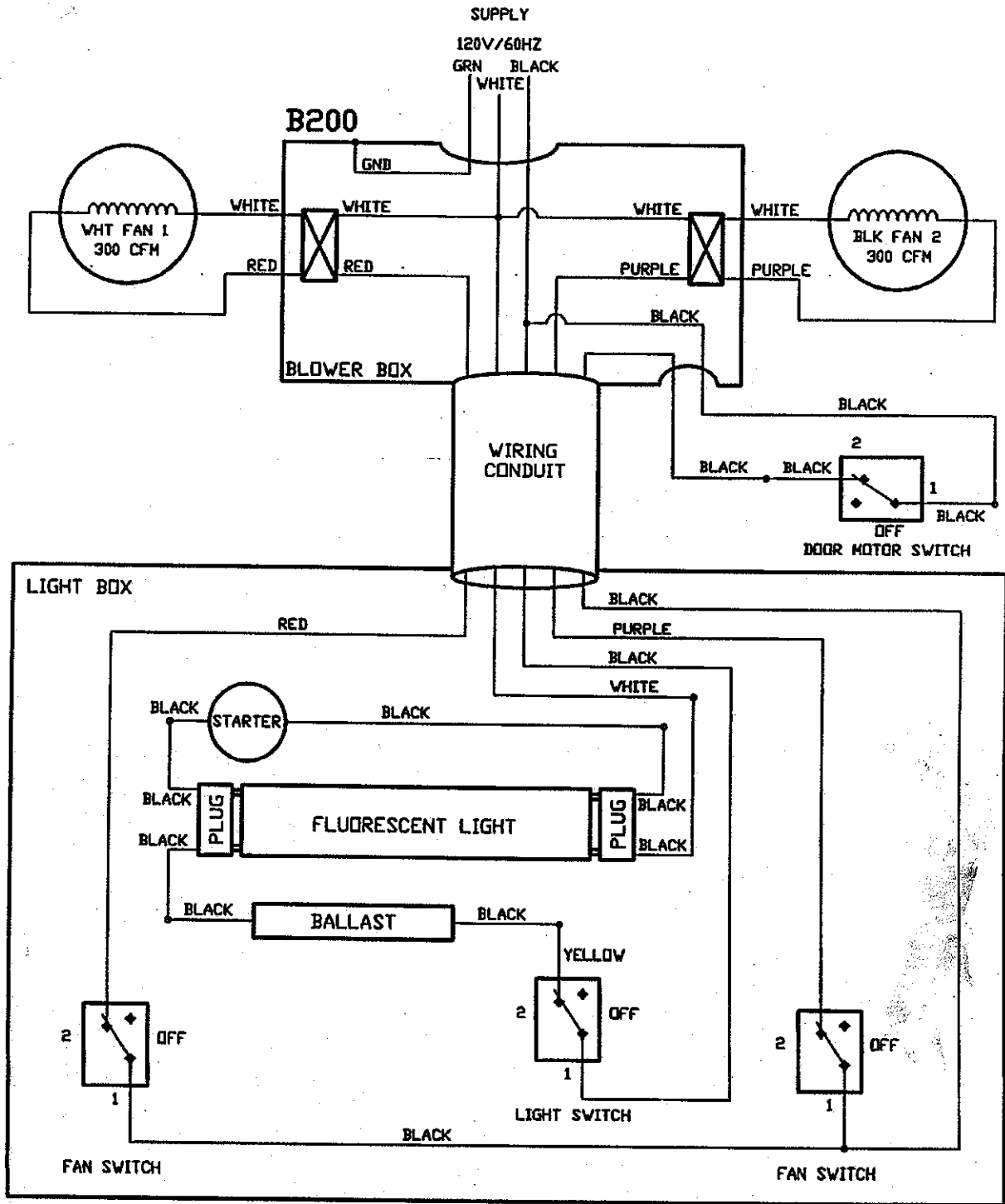
WIRING DIAGRAM TILT SINGLE BLOWER & FLUORESCENT LIGHT



COLOR CODE 1-03 MOTOR CONNECTOR 4-03 ICON SWITCHES 9-03
WARNING! DO NOT OPERATE VENT-A-HOOD WITHOUT PROPER GROUND CONNECTION

Vent-A-Hood®

WIRING DIAGRAM TILT DUAL BLOWER & FLUORESCENT LIGHT



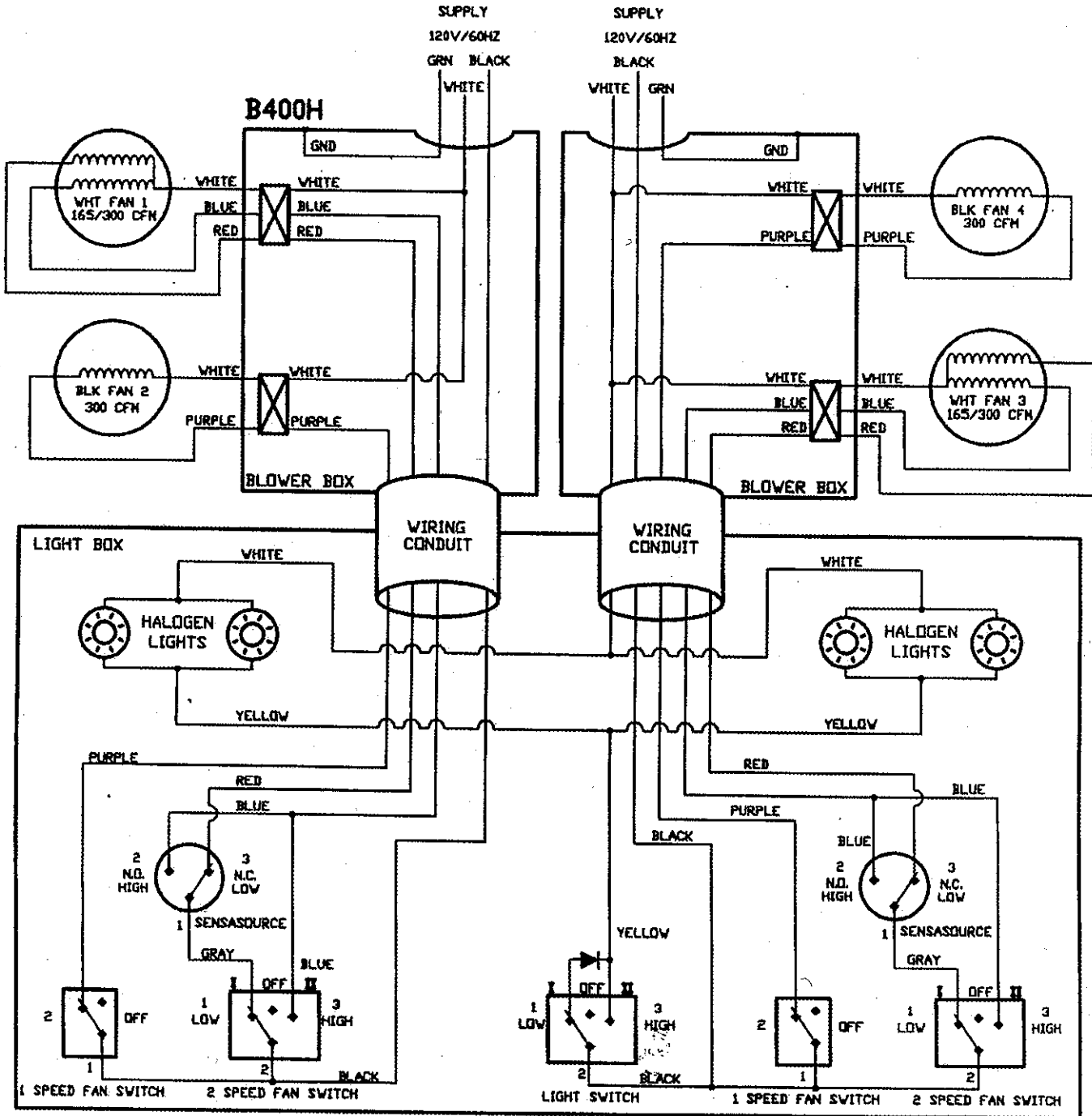
COLOR CODE 1-03 MOTOR CONNECTORS 4-03 ICON SWITCHES 9-03

WARNING! DO NOT OPERATE VENT-A-HOOD WITHOUT PROPER GROUND CONNECTION

VentA Hood®

WIRING DIAGRAM

DOUBLE DUAL BLOWER & HALOGEN LIGHT



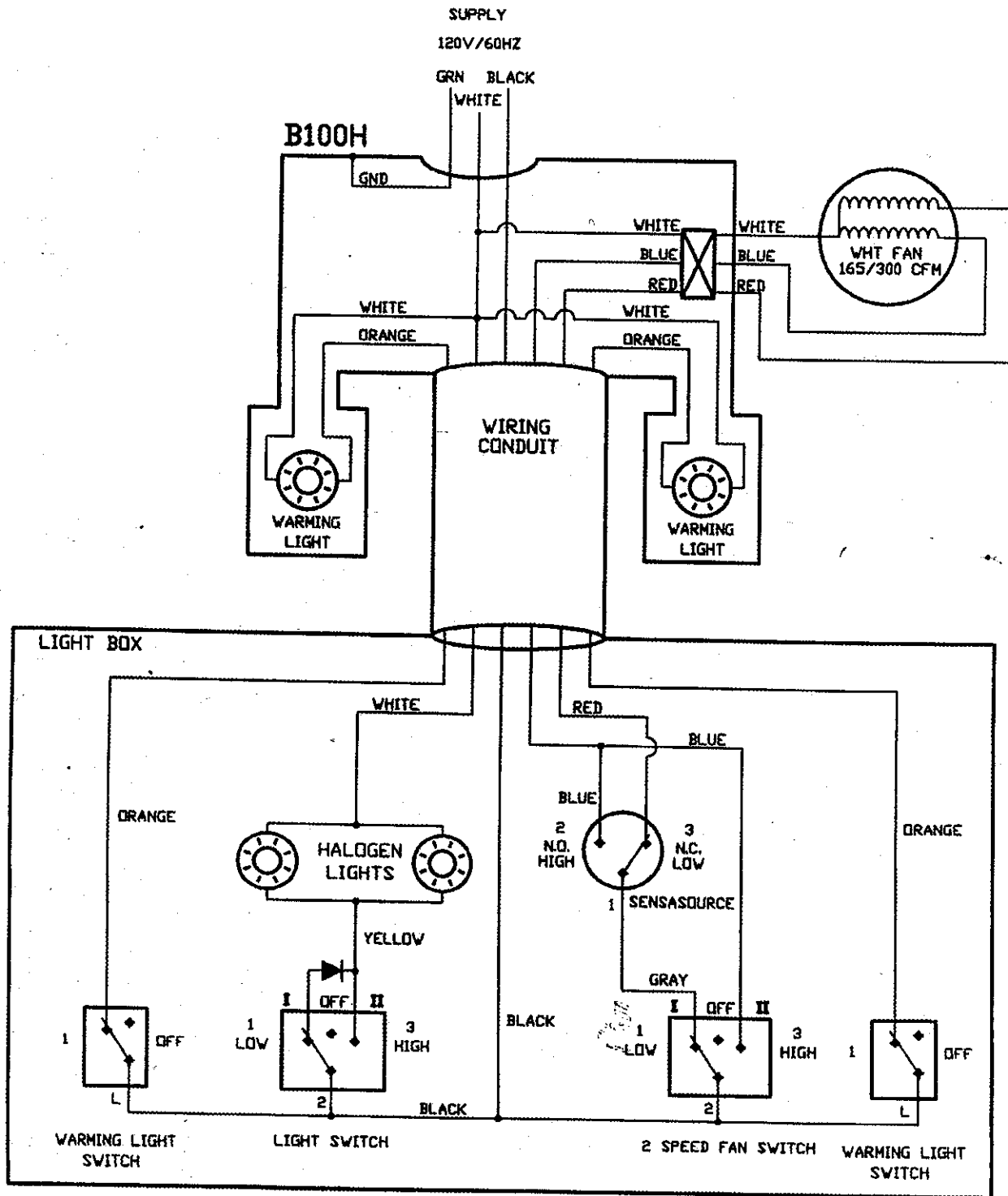
COLOR CODE 1-03 SINGLE SPEED MOTOR CONNECTORS 4-03 ICON SWITCHES 9-03

WARNING! DO NOT OPERATE VENT-A-HOOD WITHOUT PROPER GROUND CONNECTION

Vent-A-Hood®

WIRING DIAGRAM

SINGLE BLOWER & HALOGEN LIGHT/WARMING LIGHT



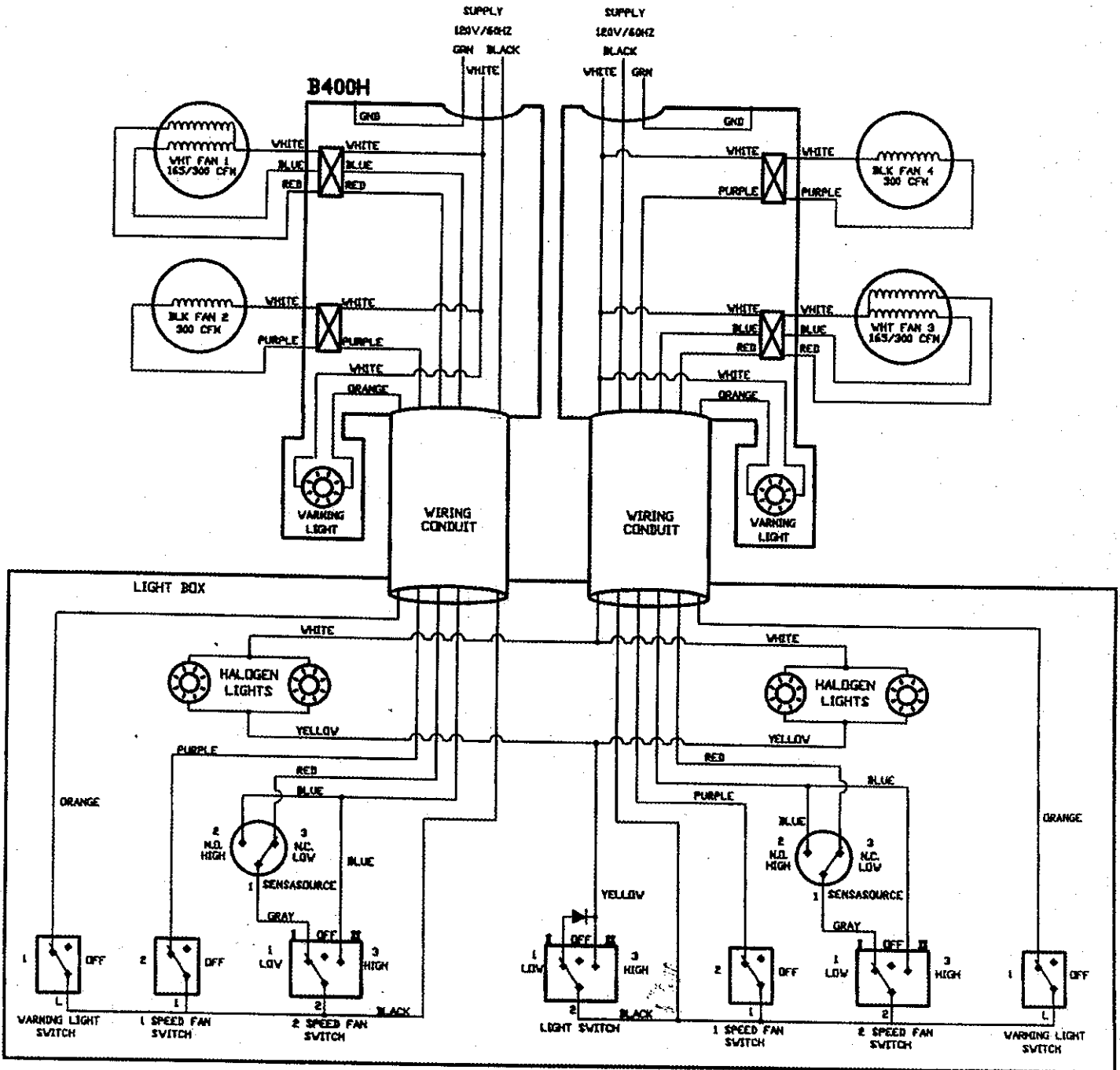
COLOR CODE 1-03 ICON SWITCHES 9-03

WARNING! DO NOT OPERATE VENT-A-HOOD WITHOUT PROPER GROUND CONNECTION

Vent-A-Hood®

WIRING DIAGRAM

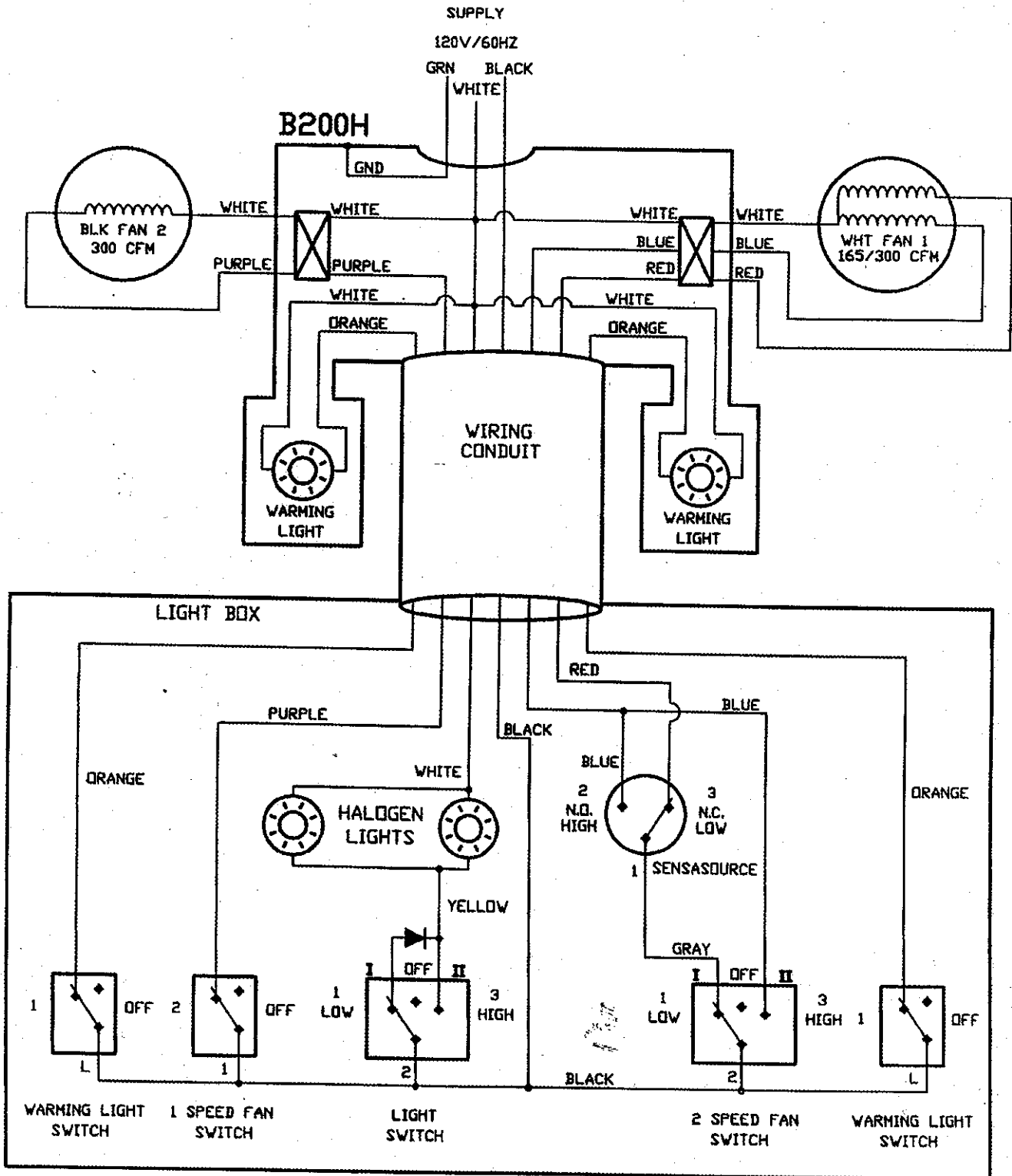
DOUBLE DUAL BLOWER & HALOGEN LIGHT/WARMING LIGHT



COLOR CODE 1-03 SINGLE SPEED MOTOR CONNECTORS 4-03 ICON SWITCHES 9-03
WARNING DO NOT OPERATE VENT-A-HOOD WITHOUT PROPER GROUND CONNECTION

Vent-A-Hood®

WIRING DIAGRAM DUAL BLOWER & HALOGEN LIGHT/WARMING LIGHT

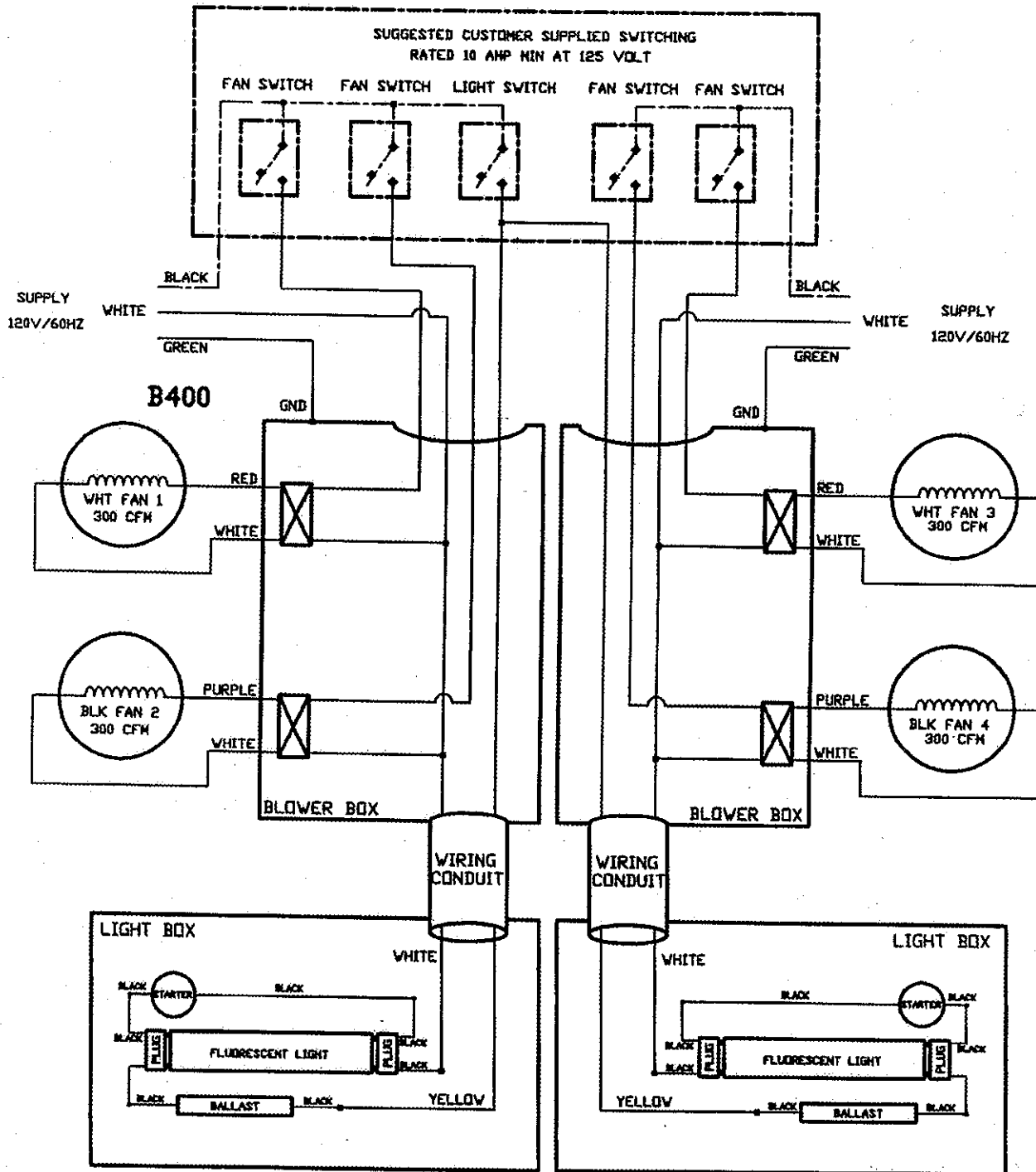


COLOR CODE 1-03 SINGLE SPEED MOTOR CONNECTORS 4-03 ICON SWITCHES 9-03

WARNING! DO NOT OPERATE VENT-A-HOOD WITHOUT PROPER GROUND CONNECTION

Vent-A-Hood®

WIRING DIAGRAM DOUBLE DUAL BLOWER & FLUORESCENT LIGHT FOR REMOTE SWITCHES

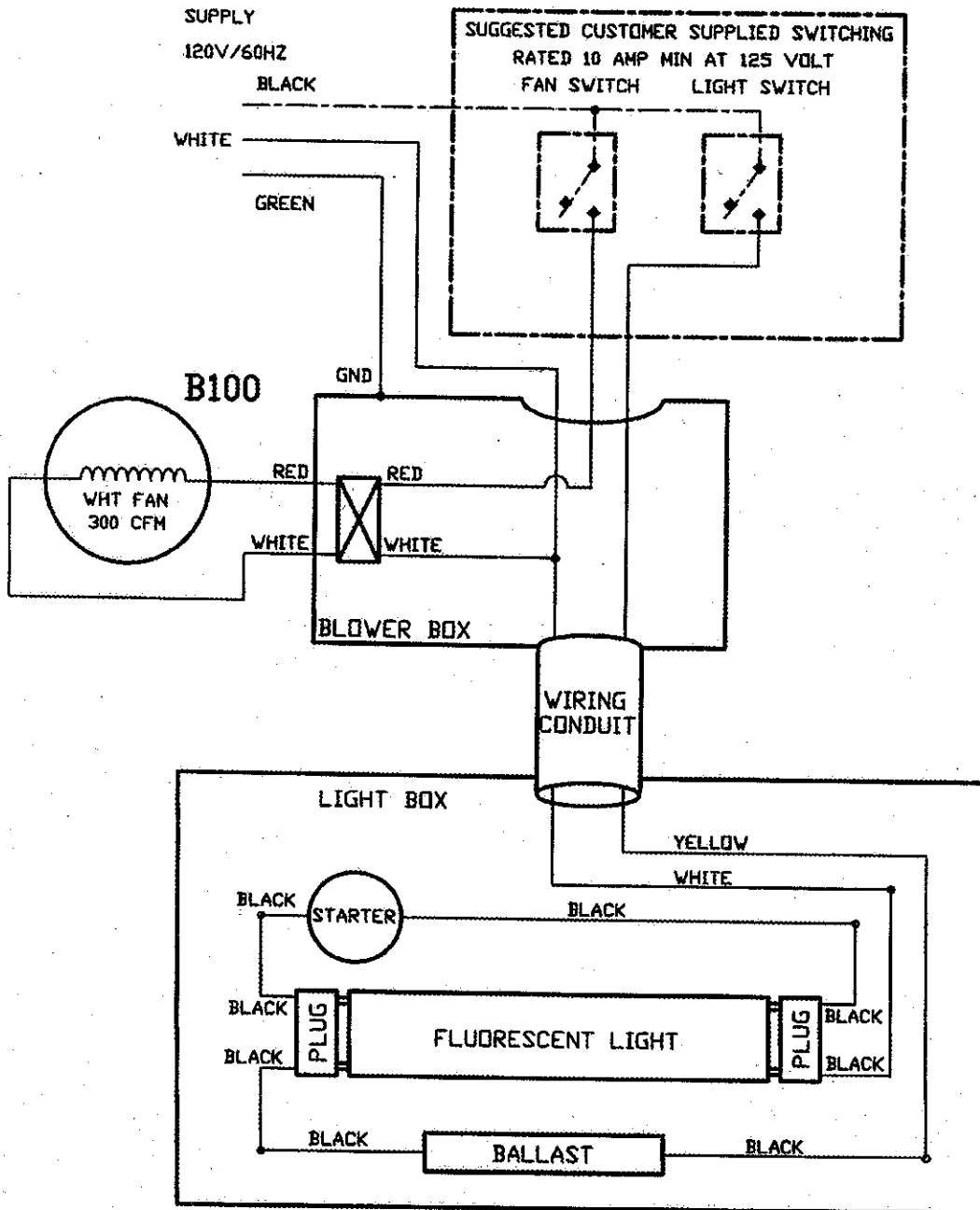


COLOR CODE 1-03 MOTOR CONNECTORS 4-03

WARNING DO NOT OPERATE VENT-A-HOOD WITHOUT PROPER GROUND CONNECTION

VentAhood®

WIRING DIAGRAM SINGLE BLOWER & FLUORESCENT LIGHT WITH REMOTE SWITCHES

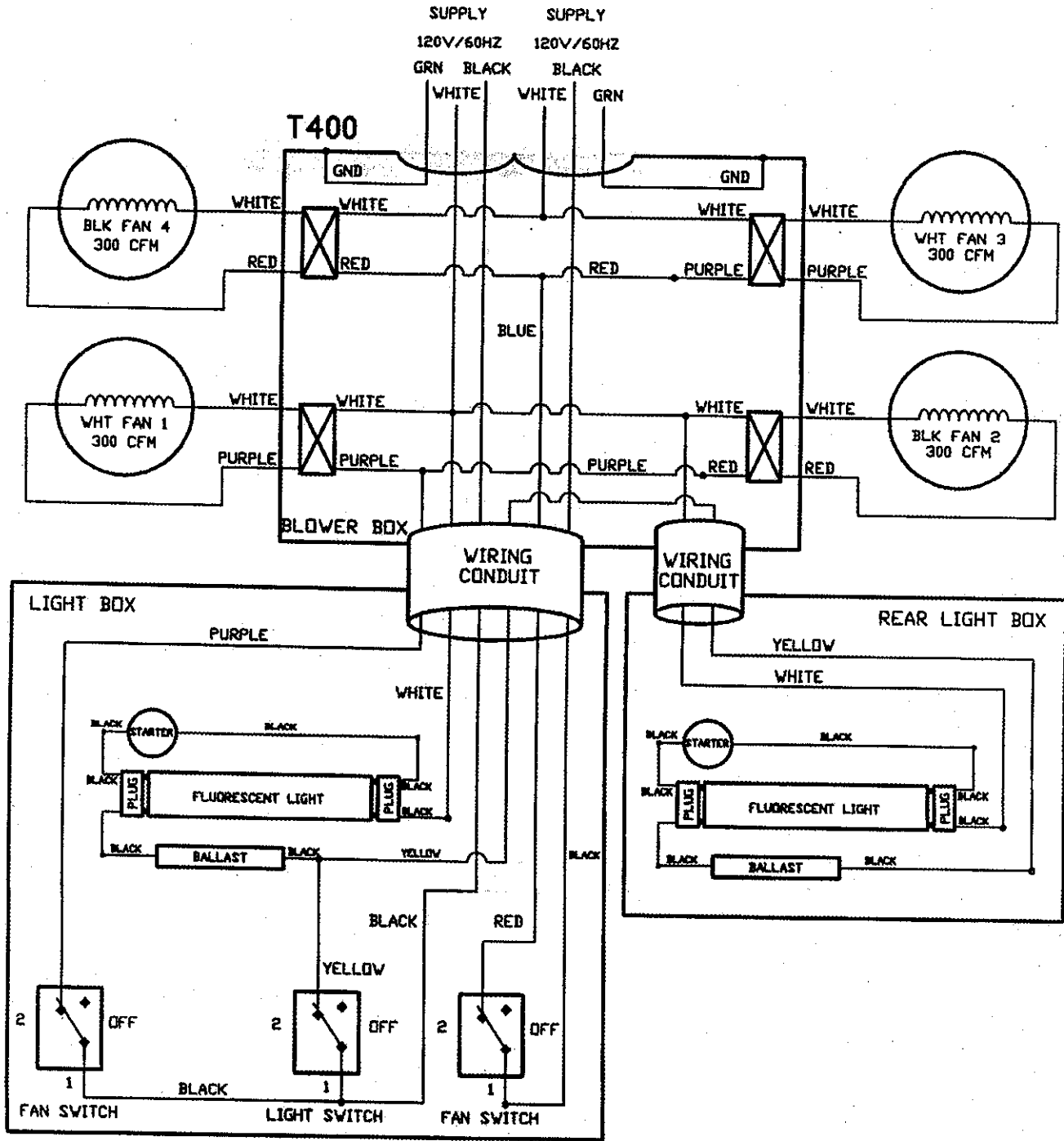


COLOR CODES 1-03 MOTOR CONNECTORS 4-03

WARNING! DO NOT OPERATE VENT-A-HOOD WITHOUT PROPER GROUND CONNECTION

VentAhood®

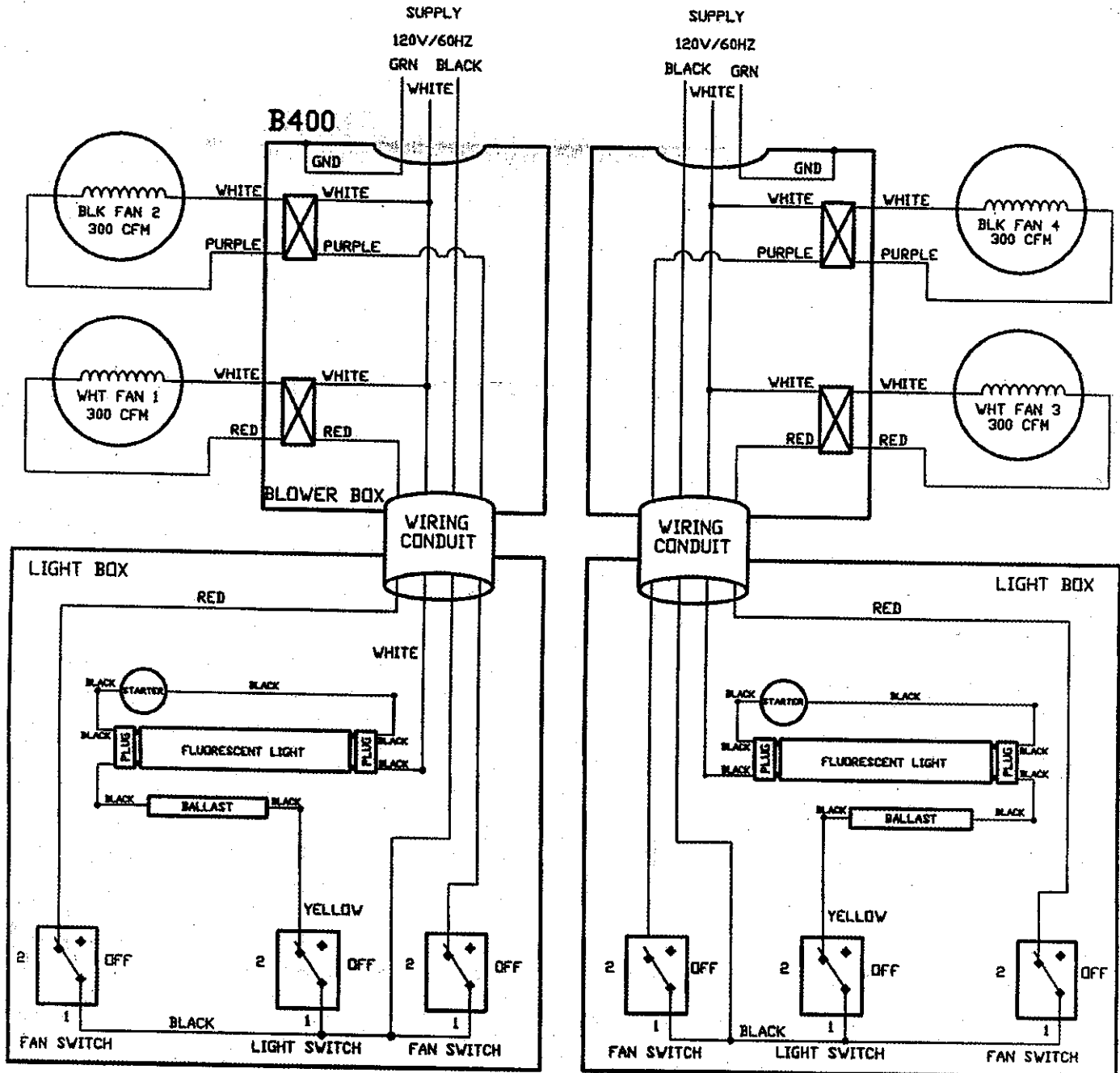
WIRING DIAGRAM ISLAND CLUSTER BLOWER & FLUORESCENT LIGHT



COLOR CODE 1-03 MOTOR CONNECTORS 4-03 ICON SWITCHES 9-03
WARNING! DO NOT OPERATE VENT-A-HOOD WITHOUT PROPER GROUND CONNECTION

Vent-A-Hood®

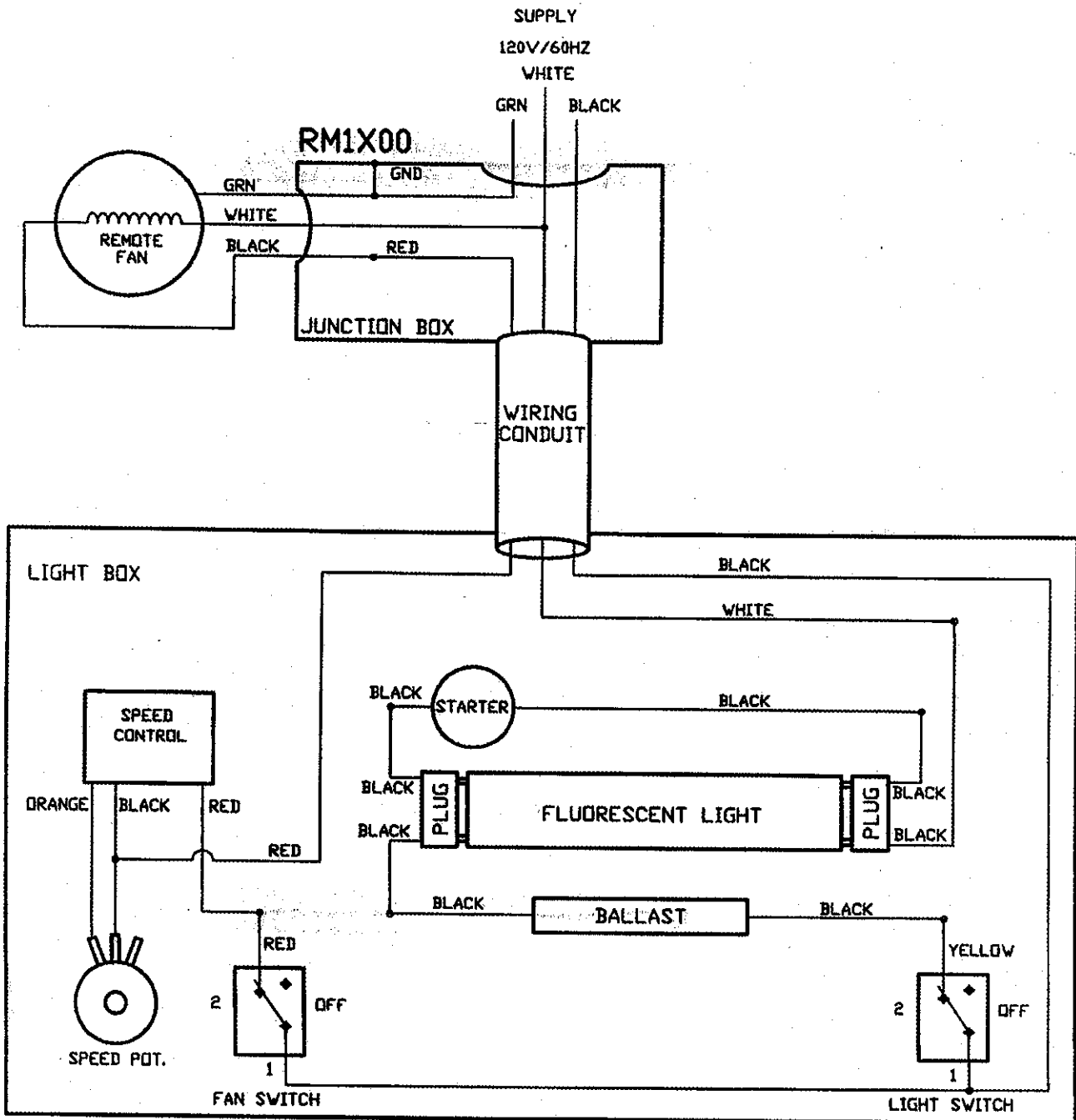
WIRING DIAGRAM DOUBLE DUAL BLOWER & FLUORESCENT LIGHT



COLOR CODE 1-03 MOTOR CONNECTORS 4-03 ICON SWITCHES 9-03
WARNING! DO NOT OPERATE VENT-A-HOOD WITHOUT PROPER GROUND CONNECTION

VentA-Hood®

WIRING DIAGRAM REMOTE BLOWER & FLUORESCENT LIGHT

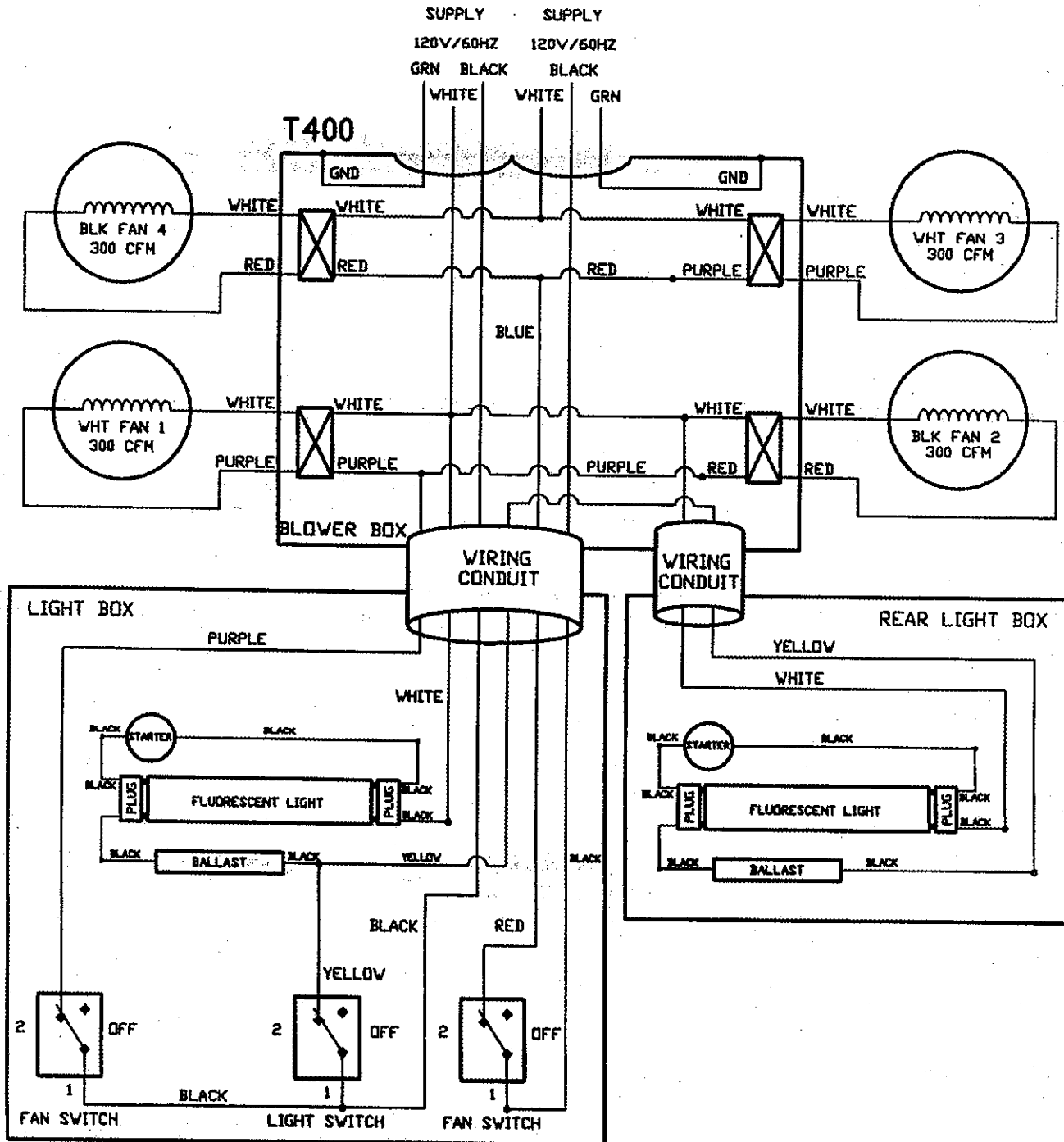


COLOR CODE 1-03 ICON SWITCHES 9-03

WARNING! DO NOT OPERATE VENT-A-HOOD WITHOUT PROPER GROUND CONNECTION

VentA-Hood®

WIRING DIAGRAM ISLAND CLUSTER BLOWER & FLUORESCENT LIGHT

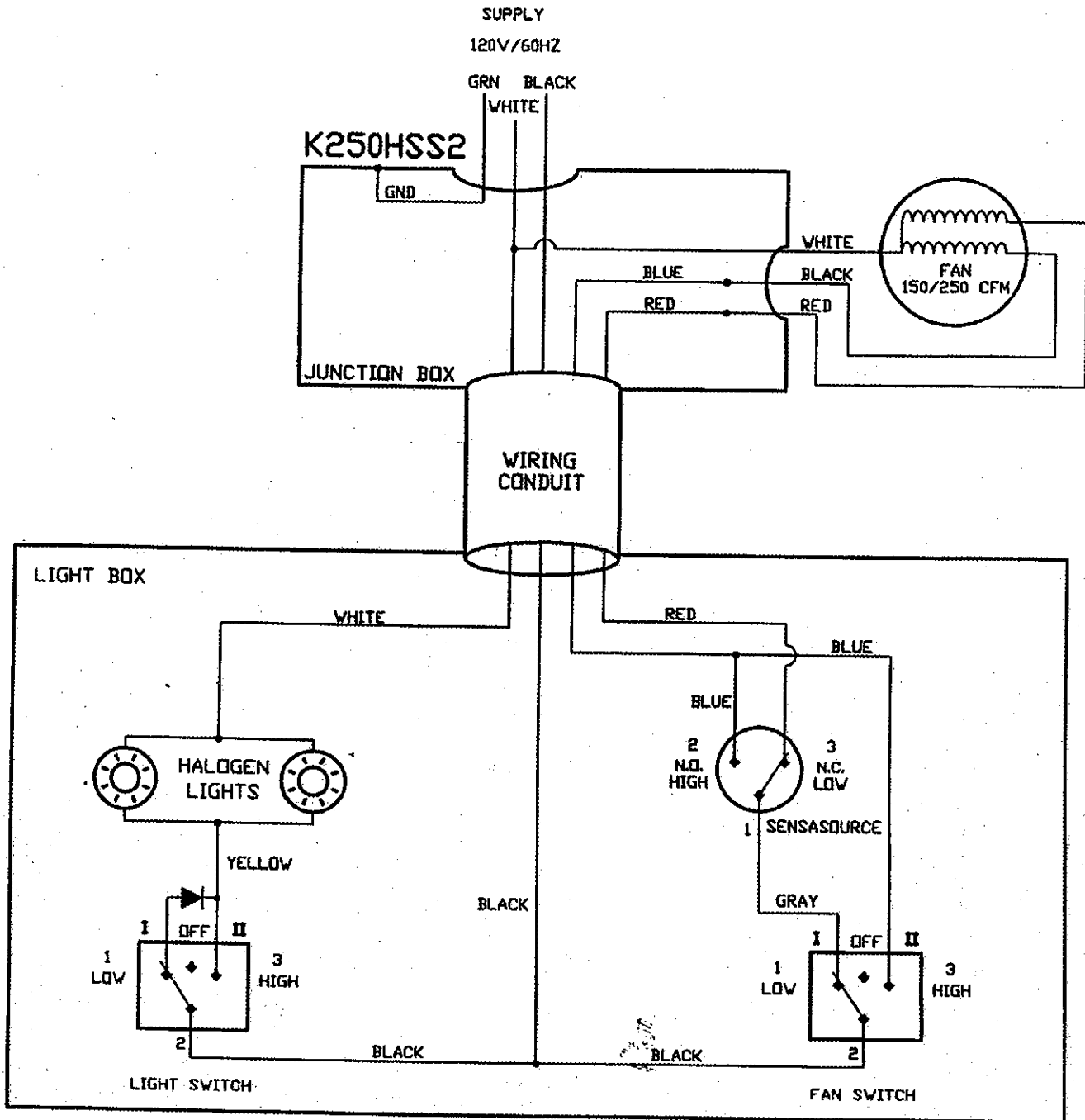


COLOR CODE 1-03 MOTOR CONNECTORS 4-03 ICON SWITCHES 9-03
WARNING! DO NOT OPERATE VENT-A-HOOD WITHOUT PROPER GROUND CONNECTION

Vent-A-Hood®

WIRING DIAGRAM

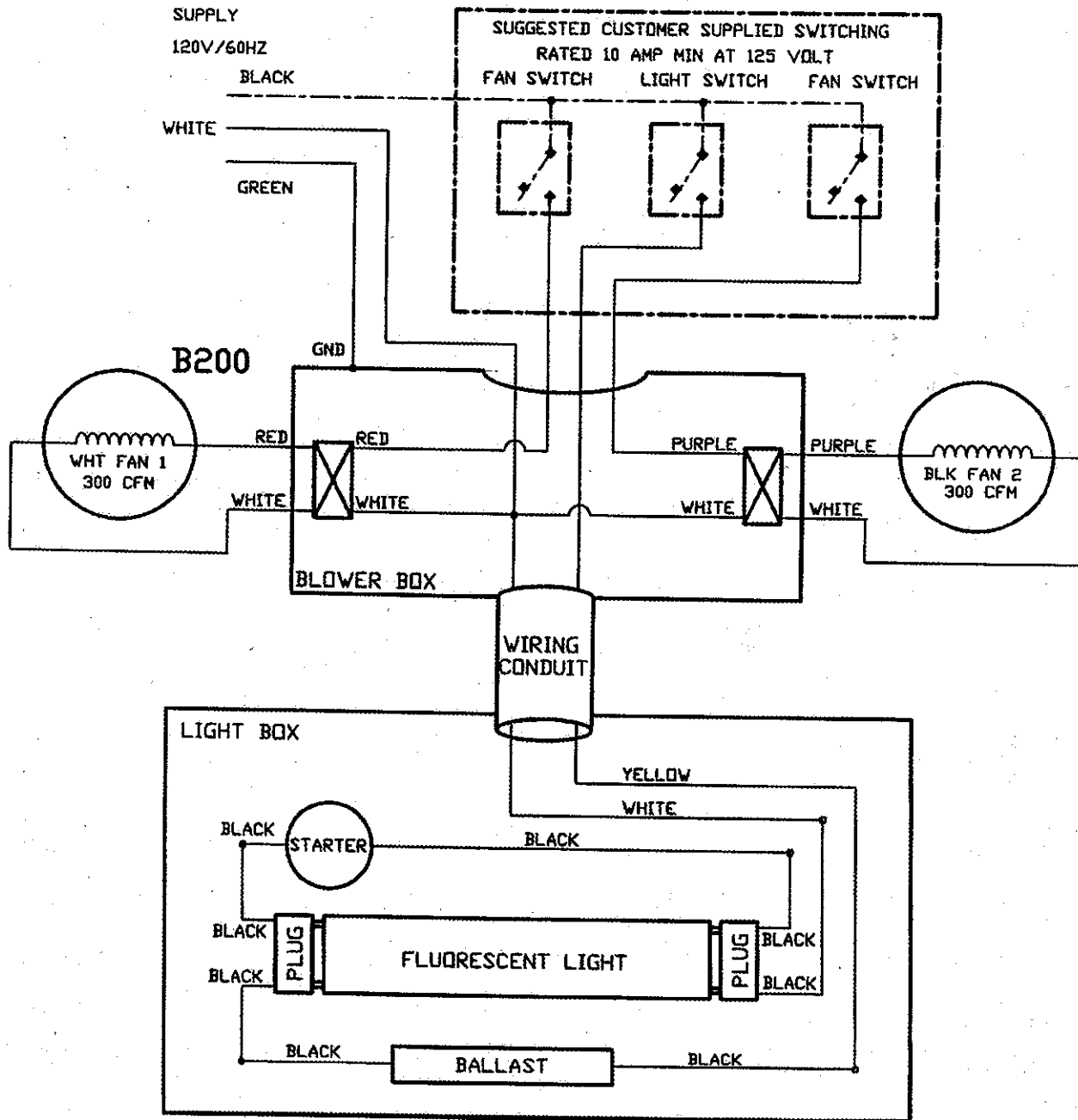
6" HOOD HALOGEN LIGHTS WITH SENSASOURCE



WARNING! DO NOT OPERATE VENT-A-HOOD WITHOUT PROPER GROUND CONNECTION

Vent-A-Hood®

WIRING DIAGRAM DUAL BLOWER & FLUORESCENT LIGHT WITH REMOTE SWITCHES

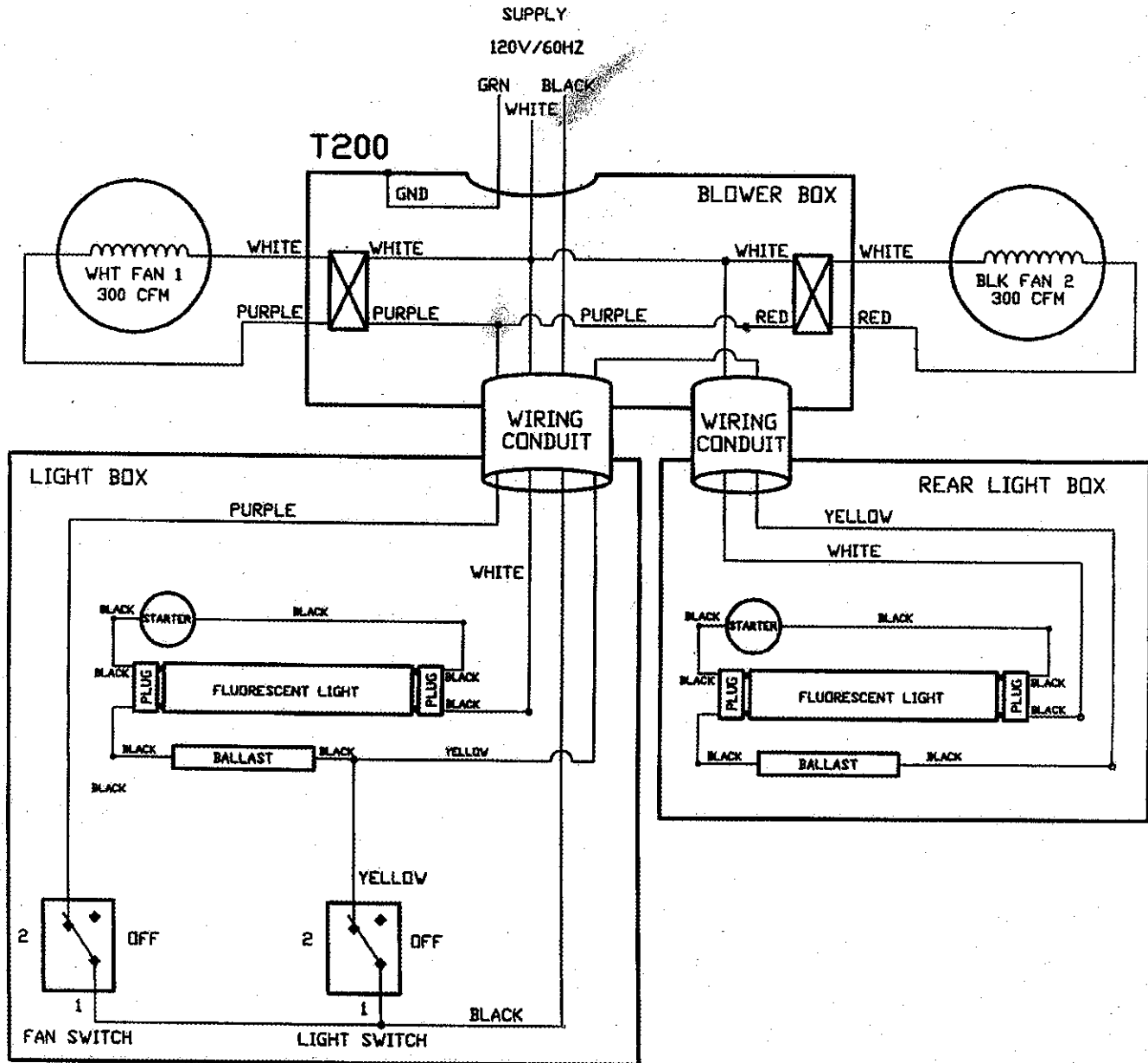


COLOR CODE 1-03 MOTOR CONNECTOR 4-03

WARNING! DO NOT OPERATE VENT-A-HOOD WITHOUT PROPER GROUND CONNECTION

Vent-A-Hood®

WIRING DIAGRAM ISLAND DUAL BLOWER & FLUORESCENT LIGHT

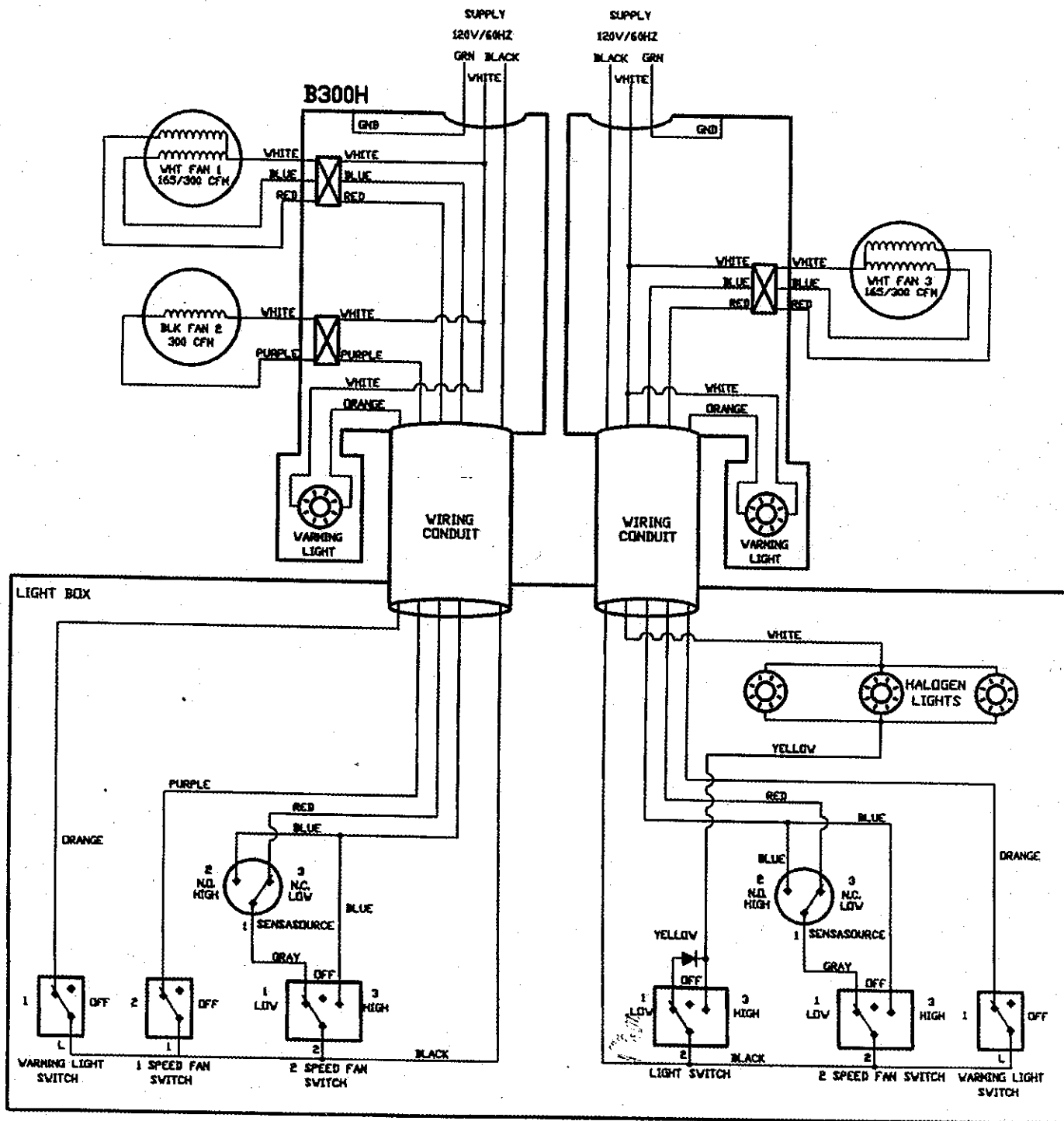


COLOR CODE 1-03 MOTOR CONNECTORS 4-03 ICON SWITCHES 9-03
WARNING! DO NOT OPERATE VENT-A-HOOD WITHOUT PROPER GROUND CONNECTION

Vent-A-Hood®

WIRING DIAGRAM

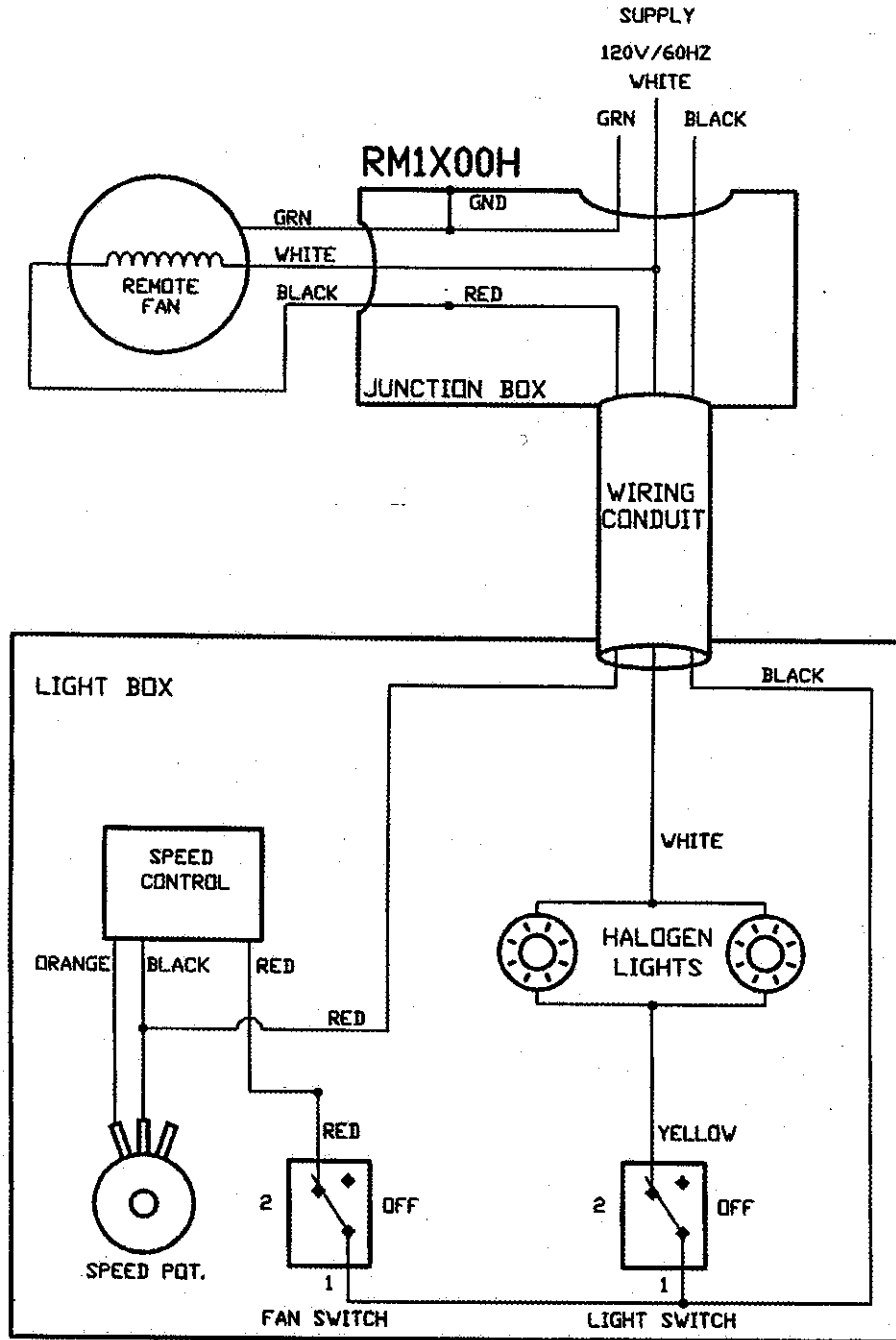
TRIPLE BLOWER & HALOGEN LIGHT/WARMING LIGHT



COLOR CODE 1-03 SINGLE SPEED MOTOR CONNECTORS 4-03 ICON SWITCHES 9-03
WARNING DO NOT OPERATE VENT-A-HOOD WITHOUT PROPER GROUND CONNECTION

Vent-A-Hood®

WIRING DIAGRAM REMOTE BLOWER & HALOGEN LIGHT



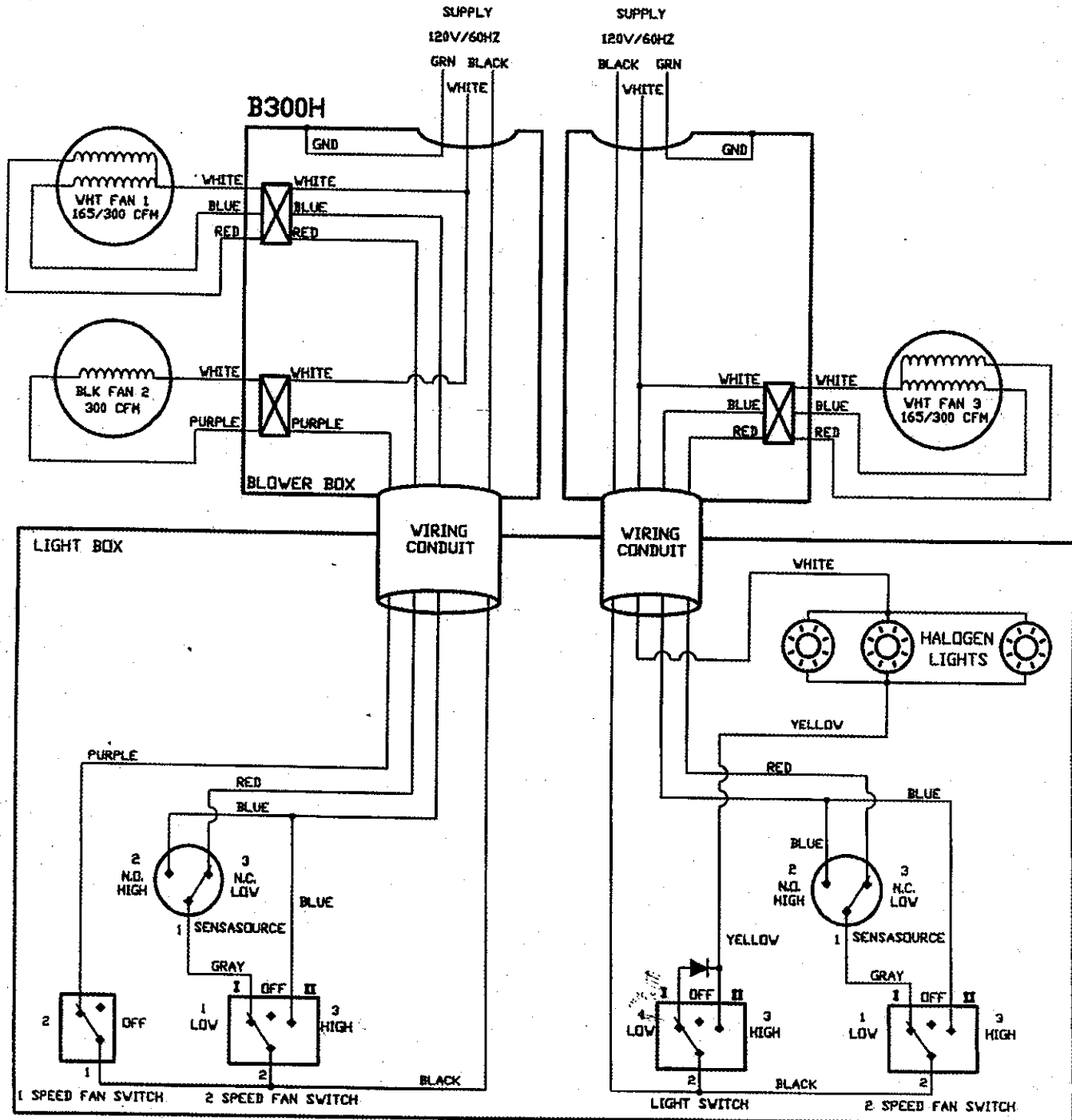
COLOR CODE 1-03 ICON SWITCHES 9-03

WARNING! DO NOT OPERATE VENT-A-HOOD WITHOUT PROPER GROUND CONNECTION

Vent-A-Hood®

WIRING DIAGRAM

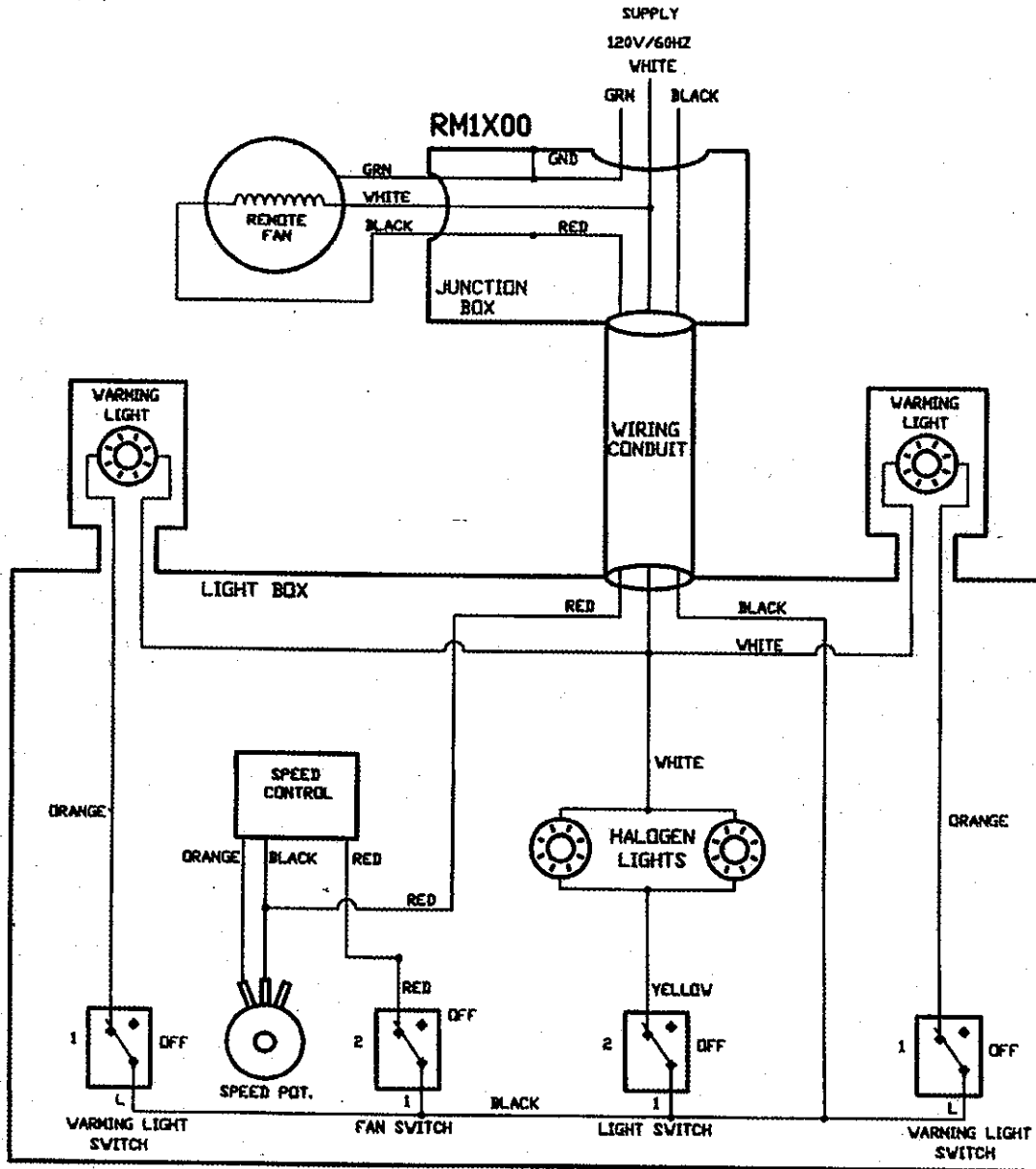
TRIPLE BLOWER & HALOGEN LIGHT



COLOR CODE 1-03 SINGLE SPEED MOTOR CONNECTORS 4-03 ICON SWITCHES 9-03
WARNING! DO NOT OPERATE VENT-A-HOOD WITHOUT PROPER GROUND CONNECTION

VentA-Hood®

WIRING DIAGRAM REMOTE BLOWER & HALOGEN LIGHT/WARMING LIGHT

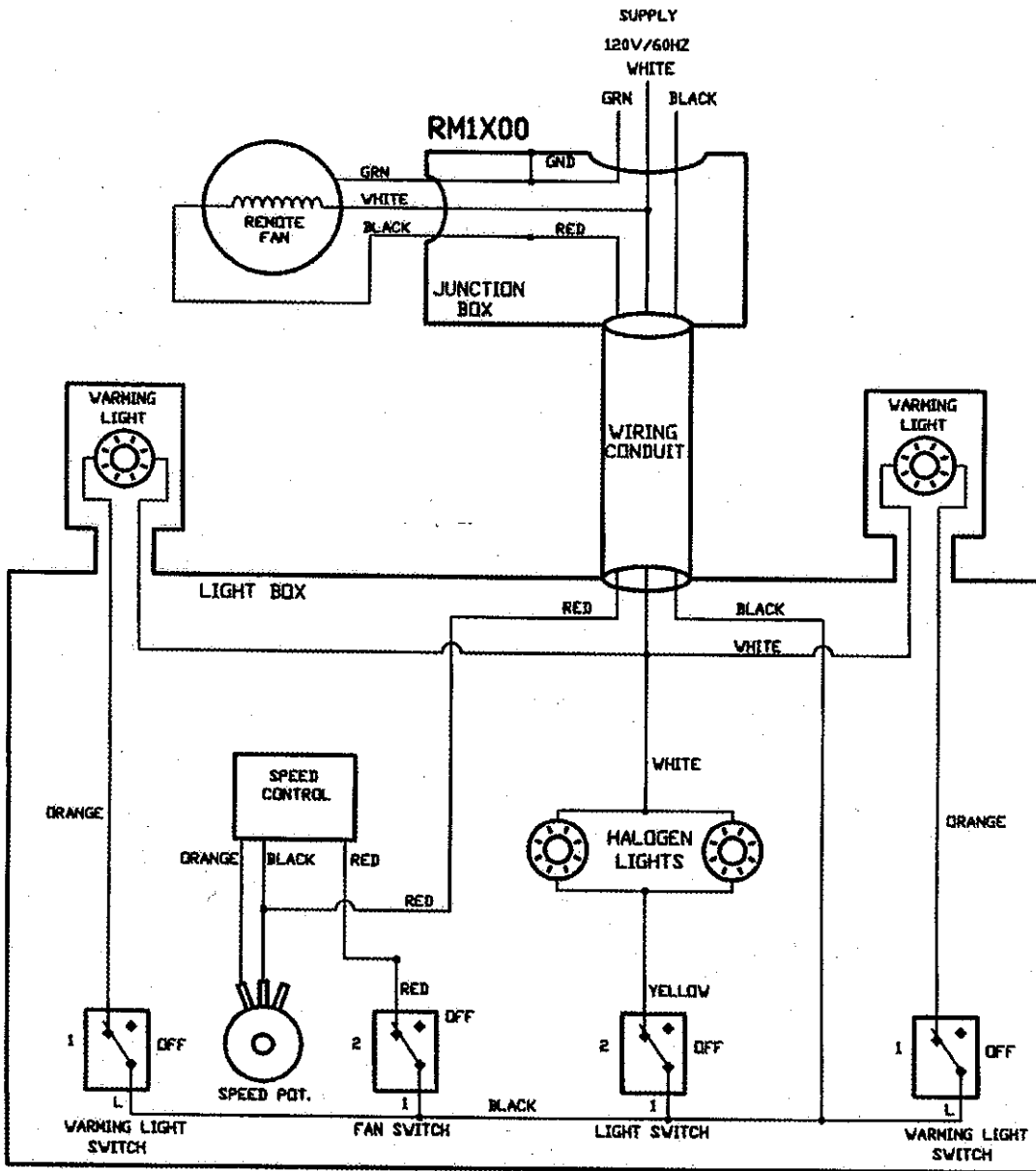


COLOR CODE 1-03 ICON SWITCHES 9-03

WARNING! DO NOT OPERATE VENT-A-HOOD WITHOUT PROPER GROUND CONNECTION

Vent-A-Hood®

WIRING DIAGRAM REMOTE BLOWER & HALOGEN LIGHT/WARMING LIGHT



COLOR CODE 1-03 ICON SWITCHES 9-03

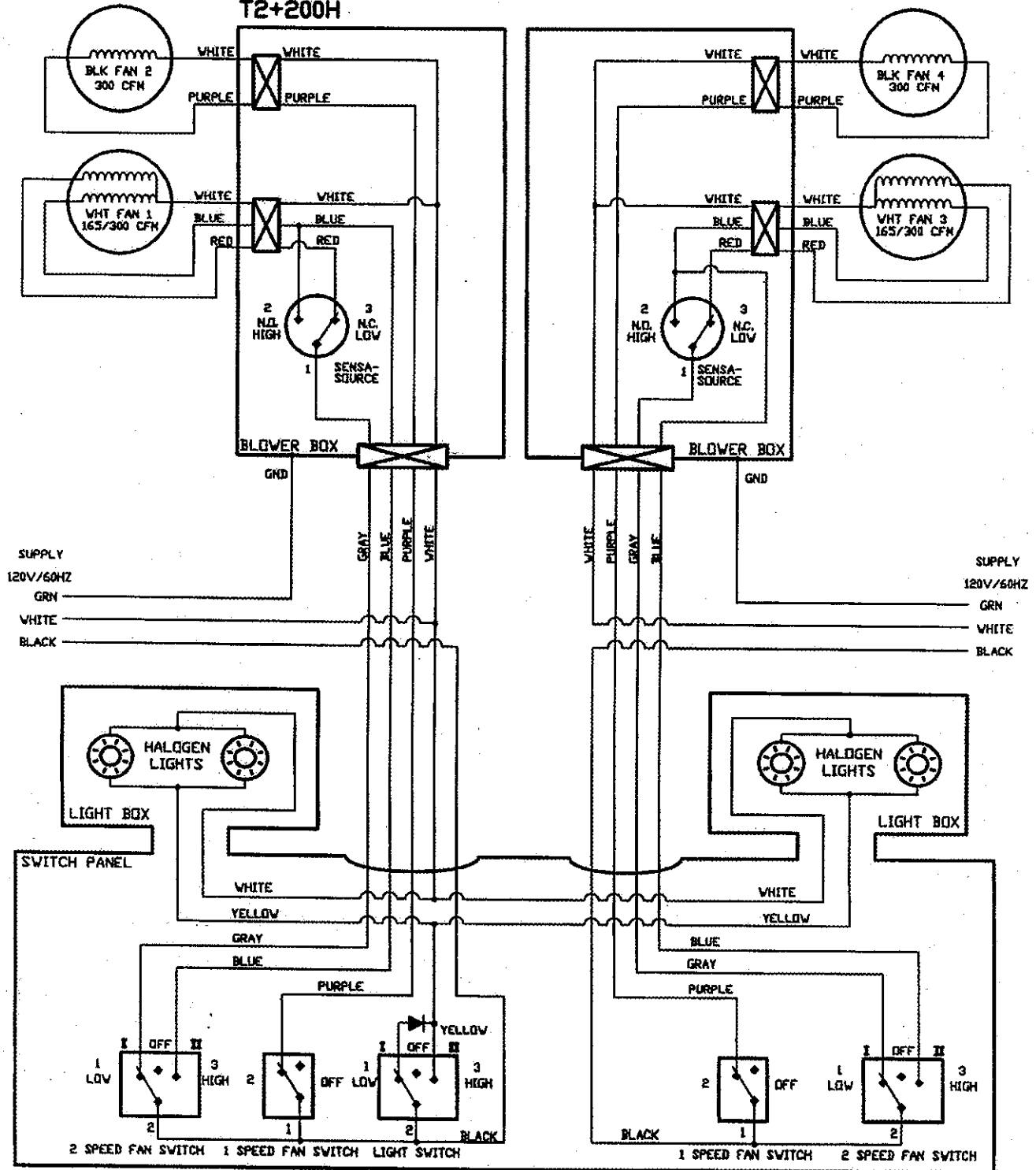
WARNING! DO NOT OPERATE VENT-A-HOOD WITHOUT PROPER GROUND CONNECTION

VentA-Hood®

WIRING DIAGRAM

ISLAND DOUBLE DUAL BLOWER & HALOGEN LIGHT

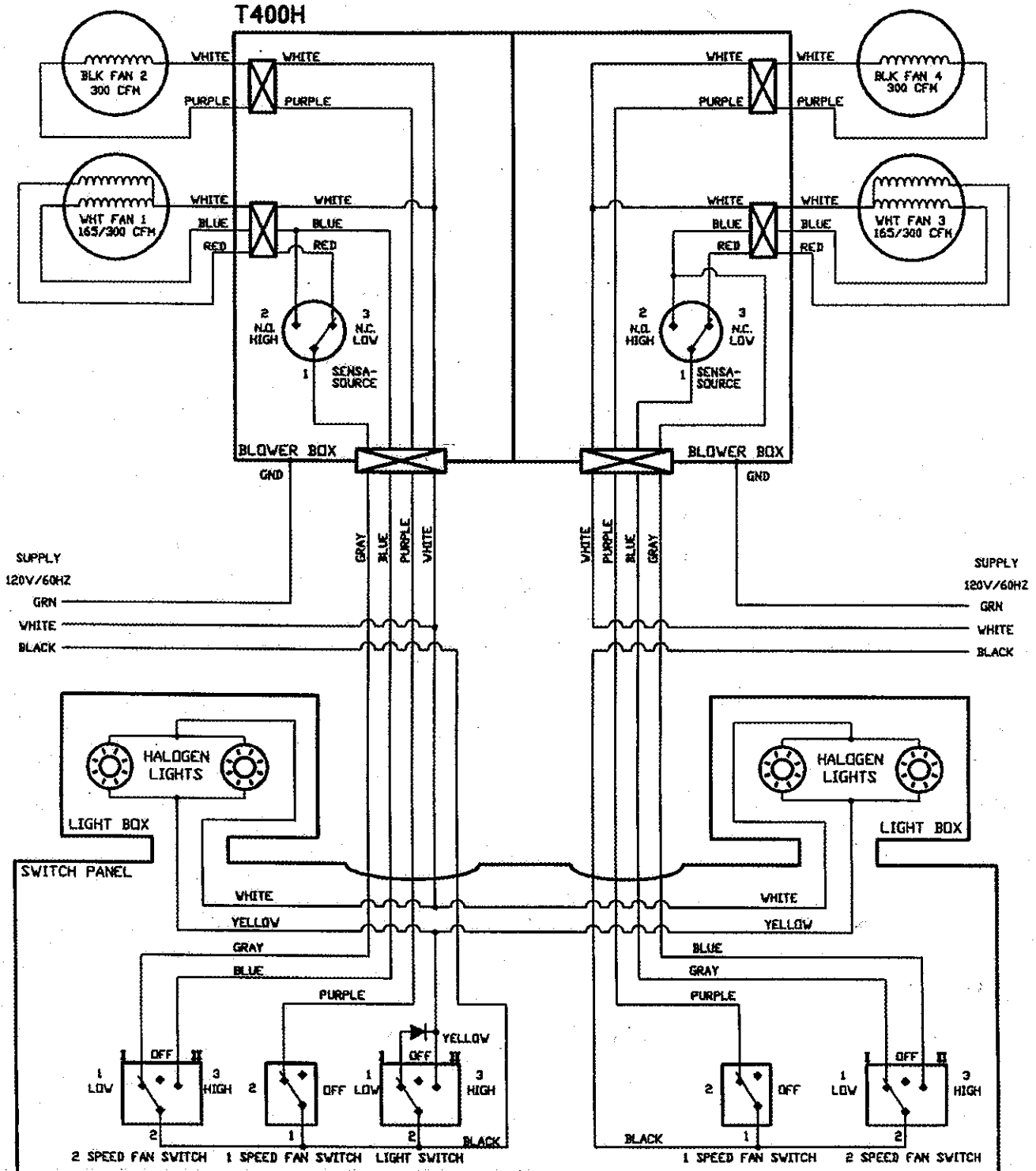
T2+200H



COLOR CODE & WIRE HARNESS 1-03 SINGLE SPEED MOTOR CONNECTORS 4-03 ICON SWITCHES 9-03
WARNING DO NOT OPERATE VENT-A-HOOD WITHOUT PROPER GROUND CONNECTION

VentA-Hood®

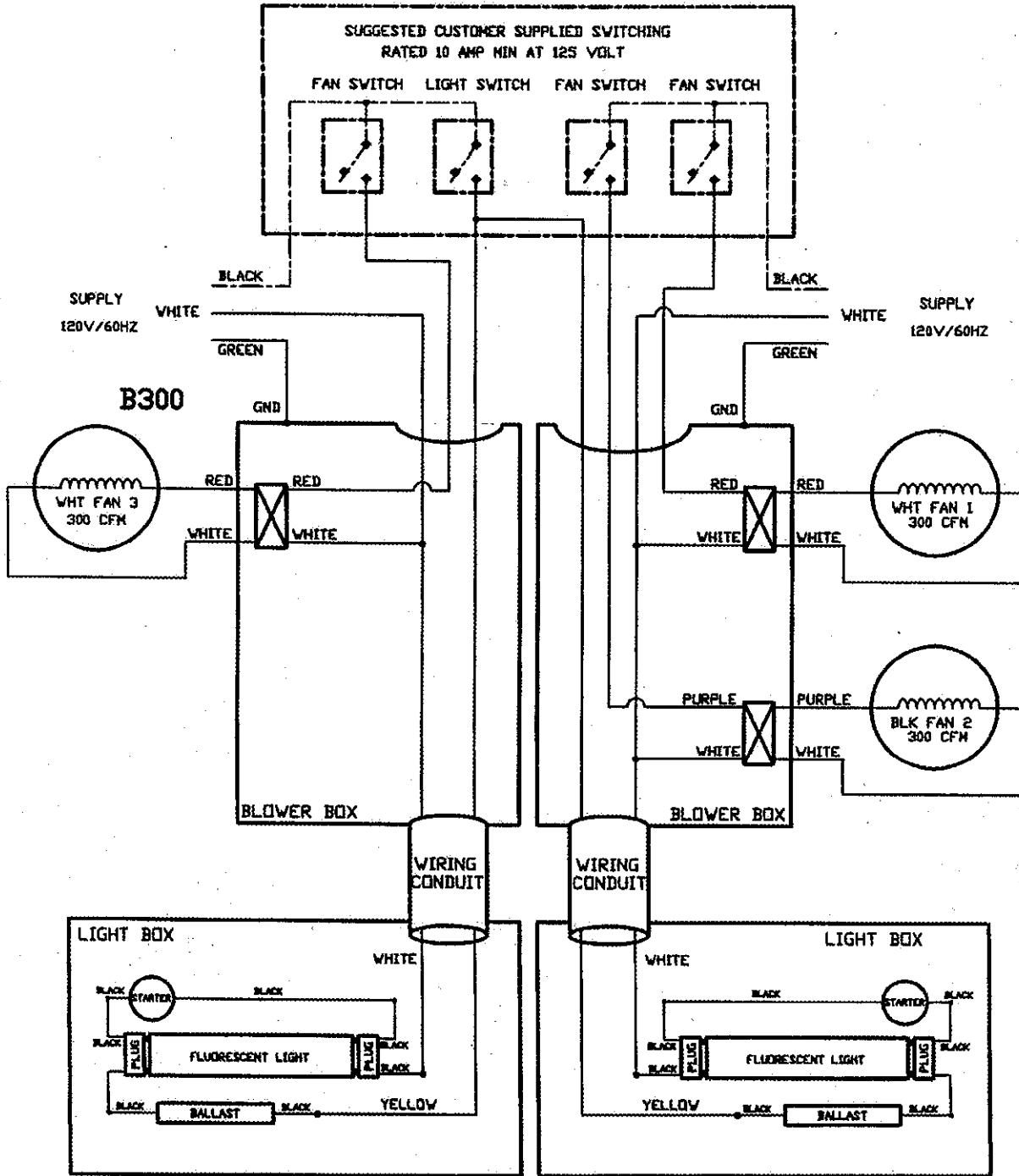
WIRING DIAGRAM ISLAND CLUSTER BLOWER & HALOGEN LIGHT



COLOR CODE & WIRE HARNESS 1-03 SINGLE SPEED MOTOR CONNECTORS 4-03 ICON SWITCHES 9-03
WARNING! DO NOT OPERATE VENT-A-HOOD WITHOUT PROPER GROUND CONNECTION

VentA-Hood®

WIRING DIAGRAM TRIPLE BLOWER & FLUORESCENT LIGHT FOR REMOTE SWITCHES

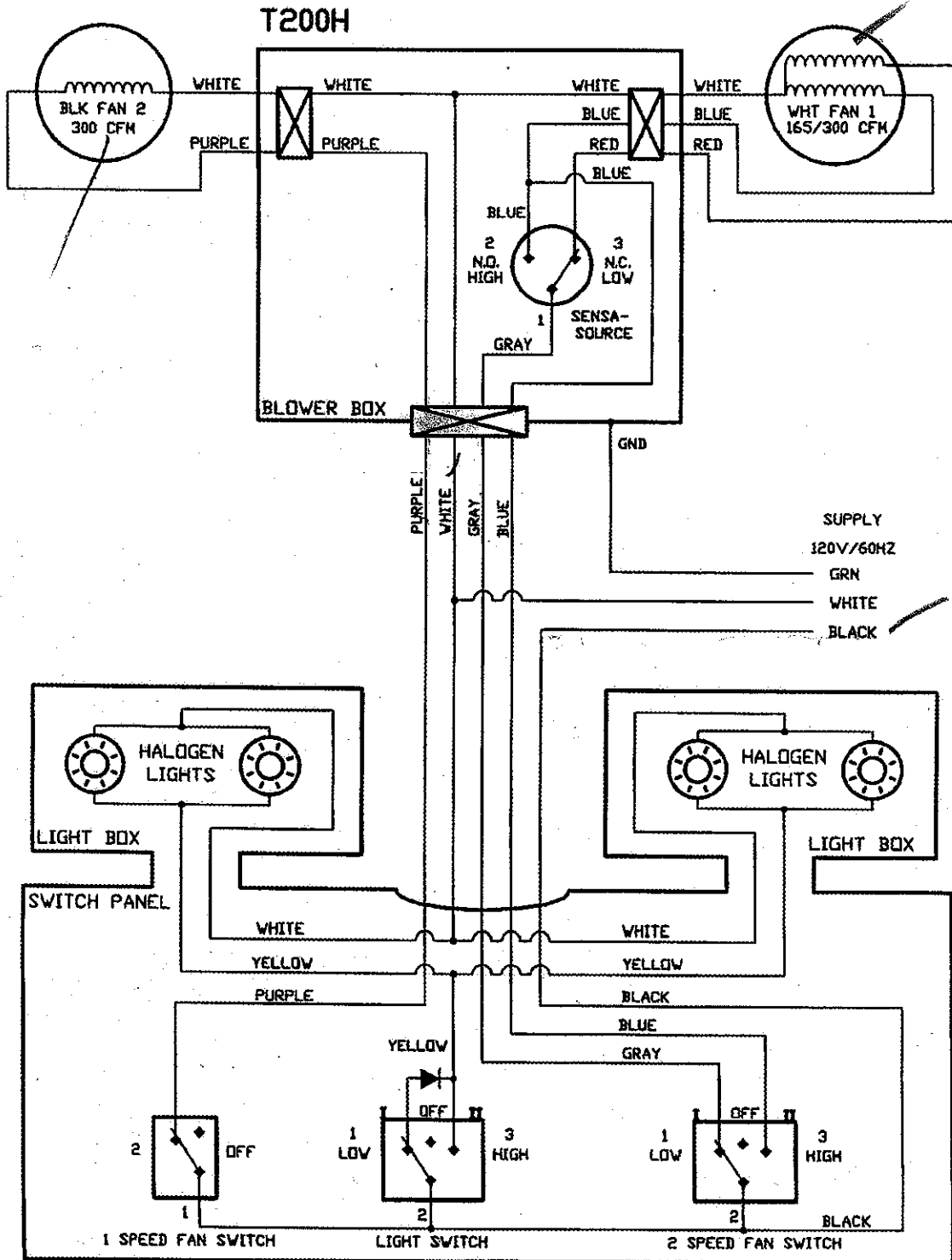


COLOR CODE 1-03 MOTOR CONNECTORS 4-03

WARNING: DO NOT OPERATE VENT-A-HOOD WITHOUT PROPER GROUND CONNECTION

Vent-A-Hood®

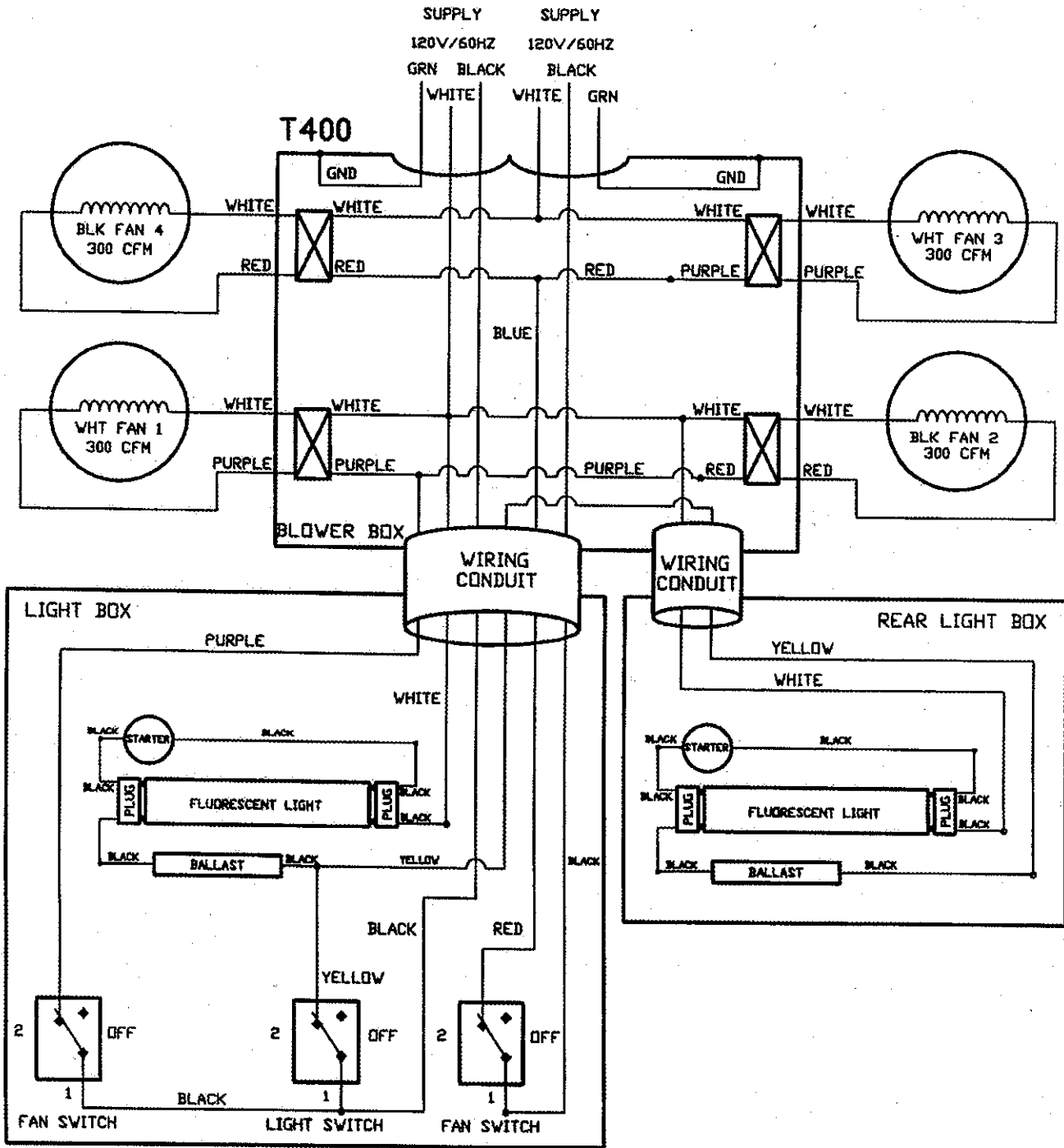
WIRING DIAGRAM ISLAND DUAL BLOWER & HALOGEN LIGHT



COLOR CODE & WIRE HARNESS 1-03 SINGLE SPEED MOTOR CONNECTORS 4-03 ICON SWITCHES 9-03
WARNING! DO NOT OPERATE VENT-A-HOOD WITHOUT PROPER GROUND CONNECTION

VentAhood®

WIRING DIAGRAM ISLAND CLUSTER BLOWER & FLUORESCENT LIGHT

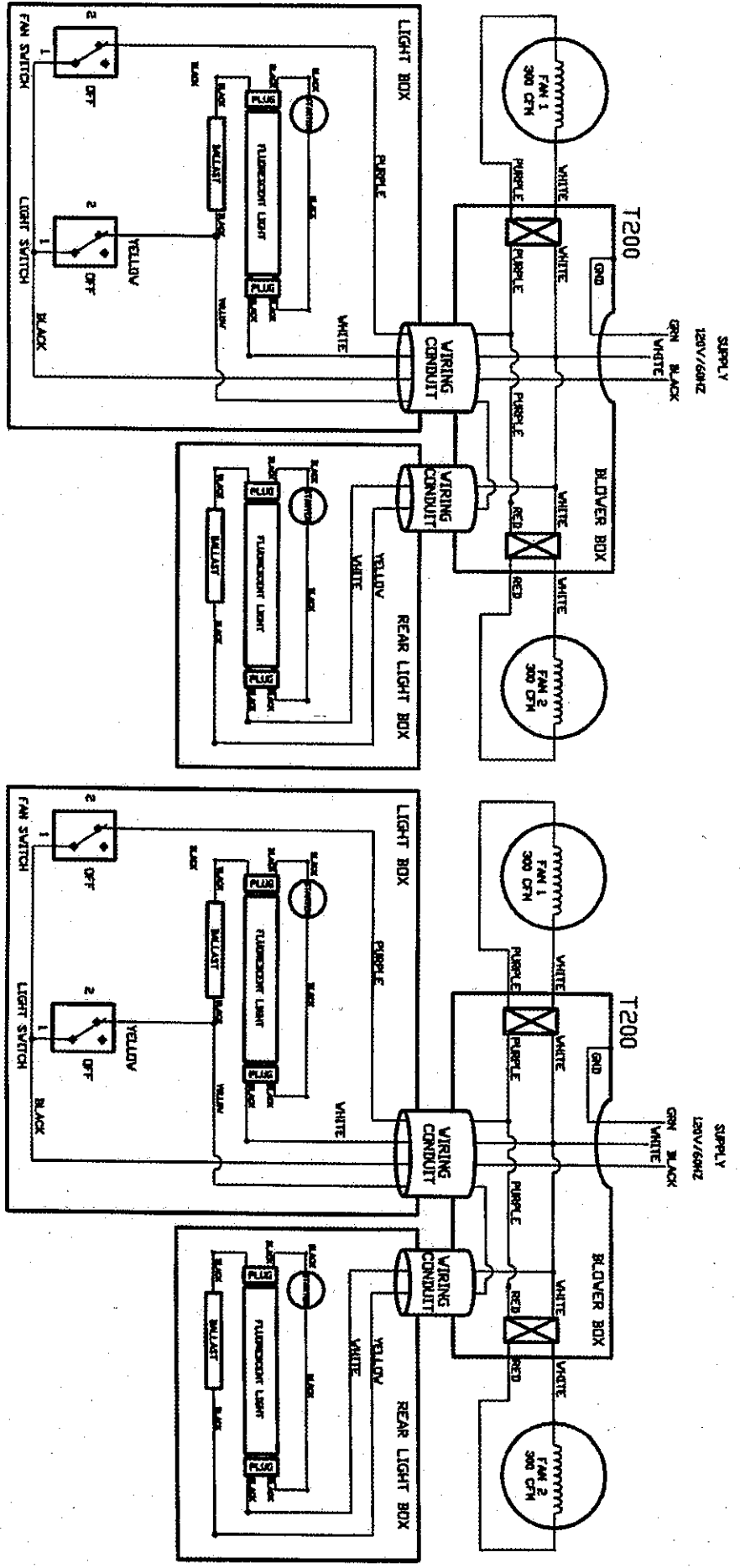


COLOR CODE 1-03 MOTOR CONNECTORS 4-03 ICON SWITCHES 9-03
WARNING! DO NOT OPERATE VENT-A-HOOD WITHOUT PROPER GROUND CONNECTION

Vent-A-Hood®

WIRING DIAGRAM

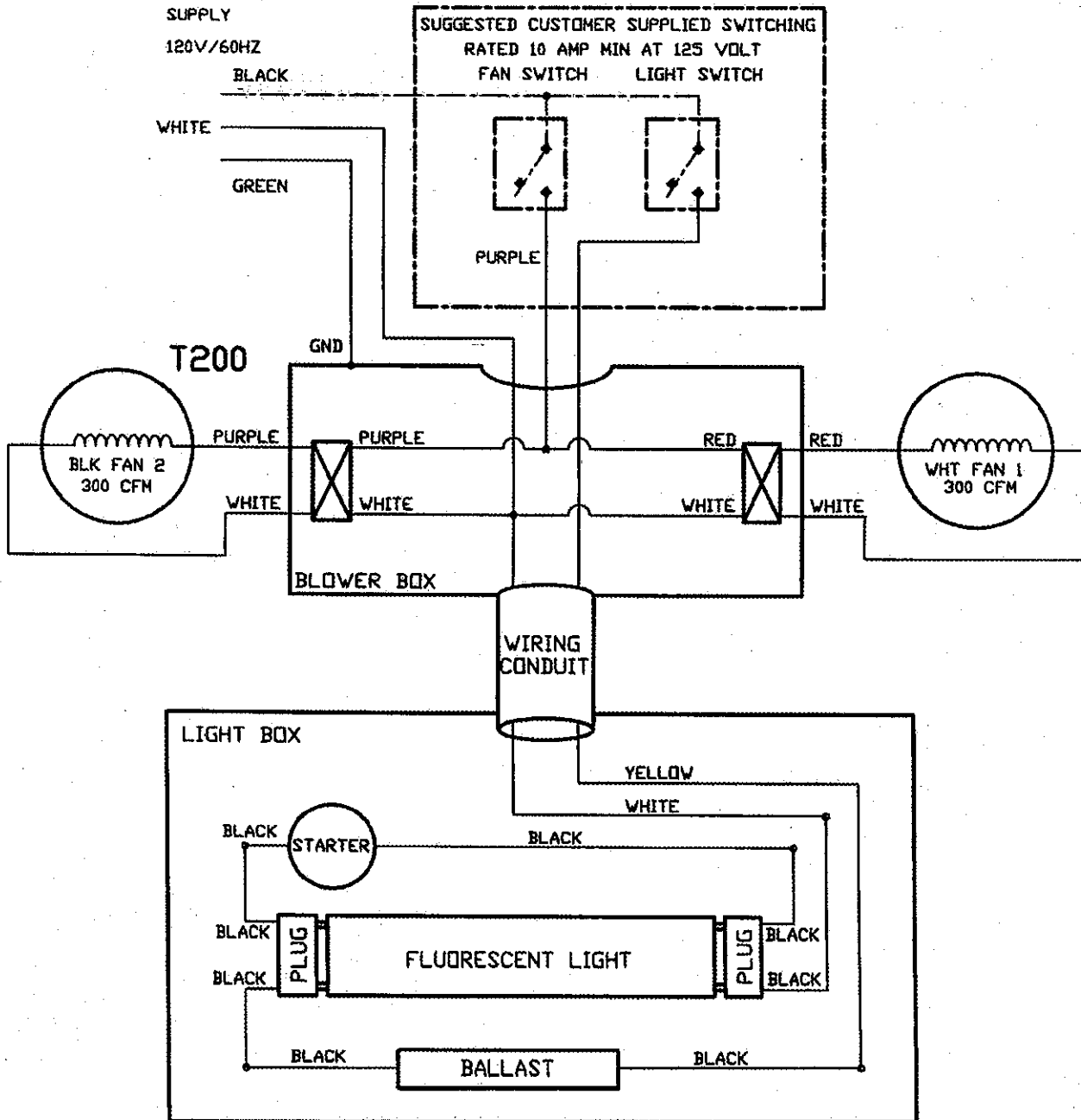
ISLAND DOUBLE DUAL BLOWER & FLUORESCENT LIGHT



COLOR CODE 1-03 MOTOR CONNECTORS 4-03 ICON SWITCHES 9-03
WARNING! DO NOT OPERATE VENT-A-HOOD WITHOUT PROPER GROUND CONNECTION

VentA-Hood®

WIRING DIAGRAM ISLAND DUAL BLOWER & FLUORESCENT LIGHT WITH REMOTE SWITCHES



COLOR CODE 1-03 MOTOR CONNECTORS 4-03

WARNING! DO NOT OPERATE VENT-A-HOOD WITHOUT PROPER GROUND CONNECTION